



T&S BRASS AND BRONZE WORKS, INC.

2 Saddleback Cove / P.O. Box 1088
Travelers Rest, SC 29690

Model No.

5R.M20.T449

Item No.

Travelers Rest, SC: 800-476-4103 • Simi Valley, CA: 800-423-0150 • Fax: 864-834-3518 • www.tsbrass.com

This Space for Architect/Engineer Approval

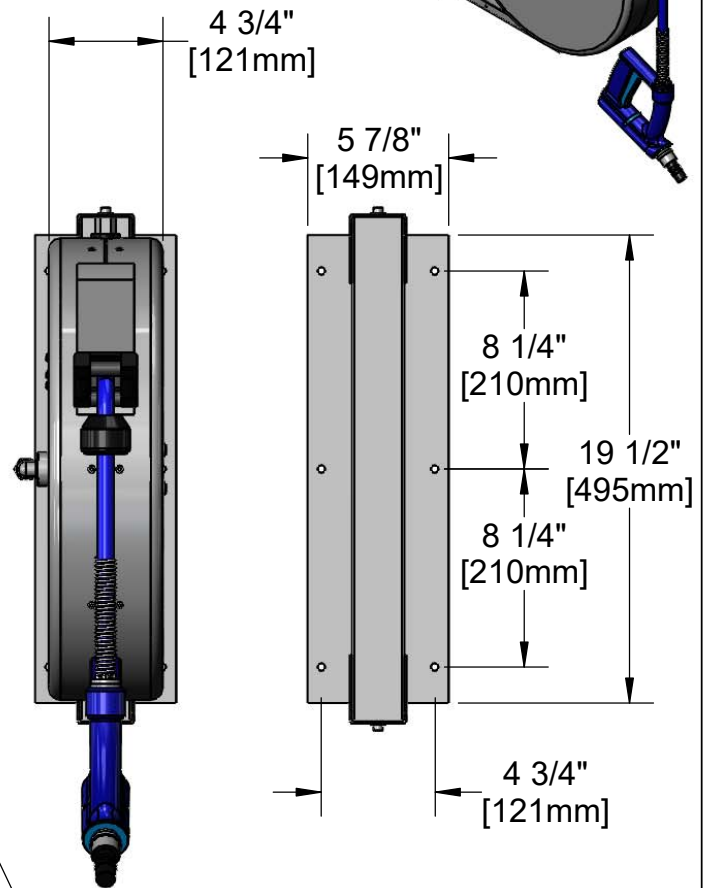
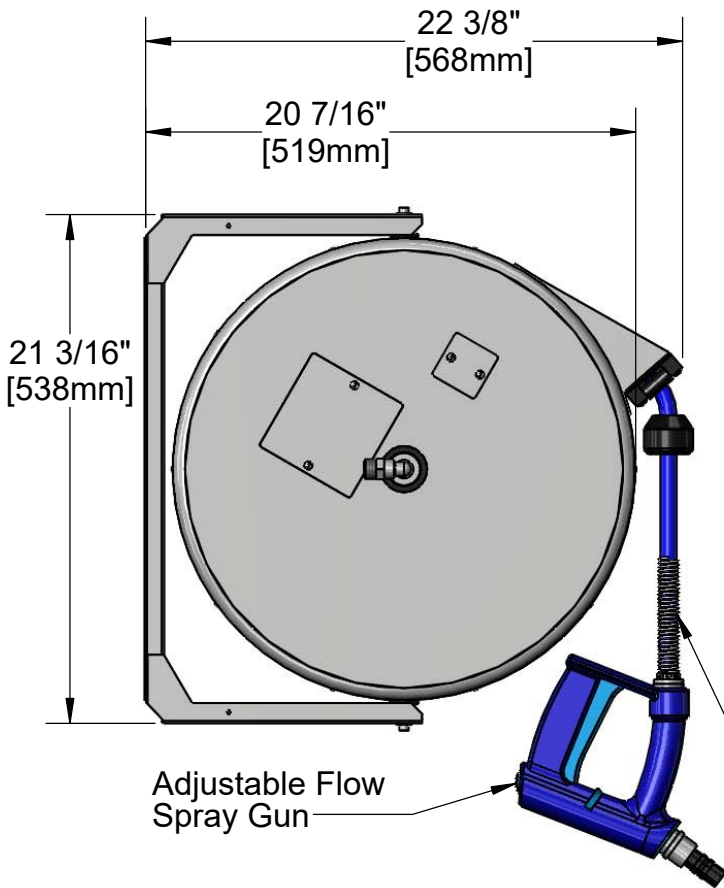
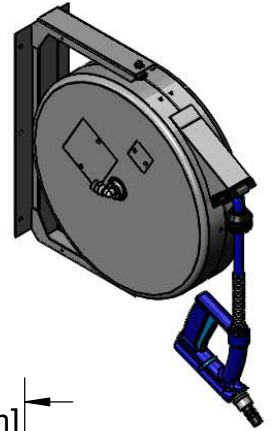
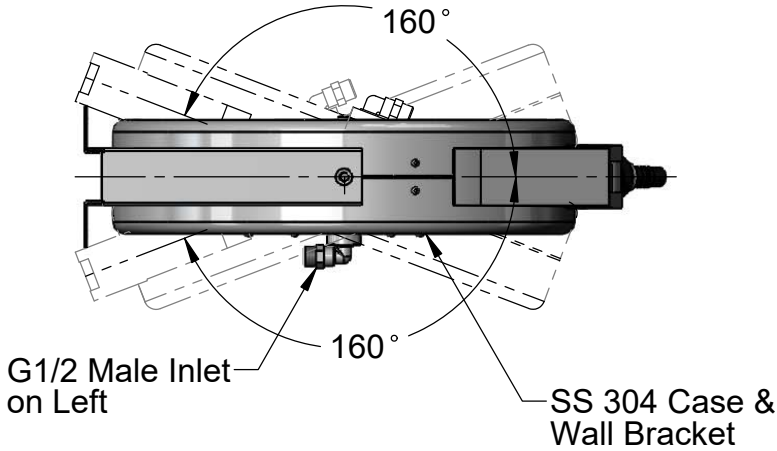
Job Name _____ Date _____

Model Specified _____ Quantity _____

Customer/Wholesaler _____

Contractor _____

Architect/Engineer _____



3/8" x 65' [DN 10mm x 20m]
Food Contact Rubber Hose

Product Specifications:

Stainless Steel Hose Reel with 3/8" x 65' [DN 10mm x 20m]
Food Contact Rubber Hose, Swivel Mount, & Adjustable Flow Spray Gun

Product Compliance:

NSF 51
FDA 21 CFR 177.2600
NSF 61 Exempt (Non-Potable)