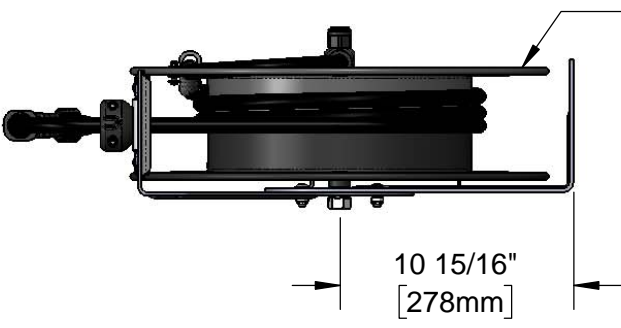
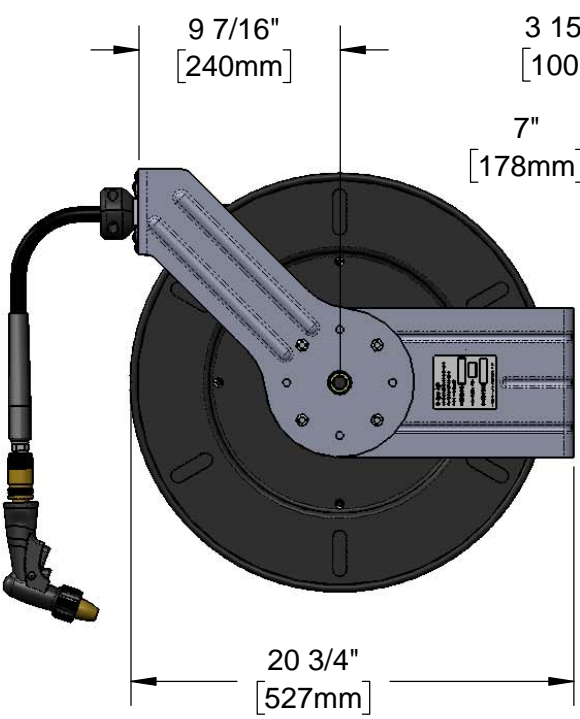


This Space for Architect/Engineer Approval

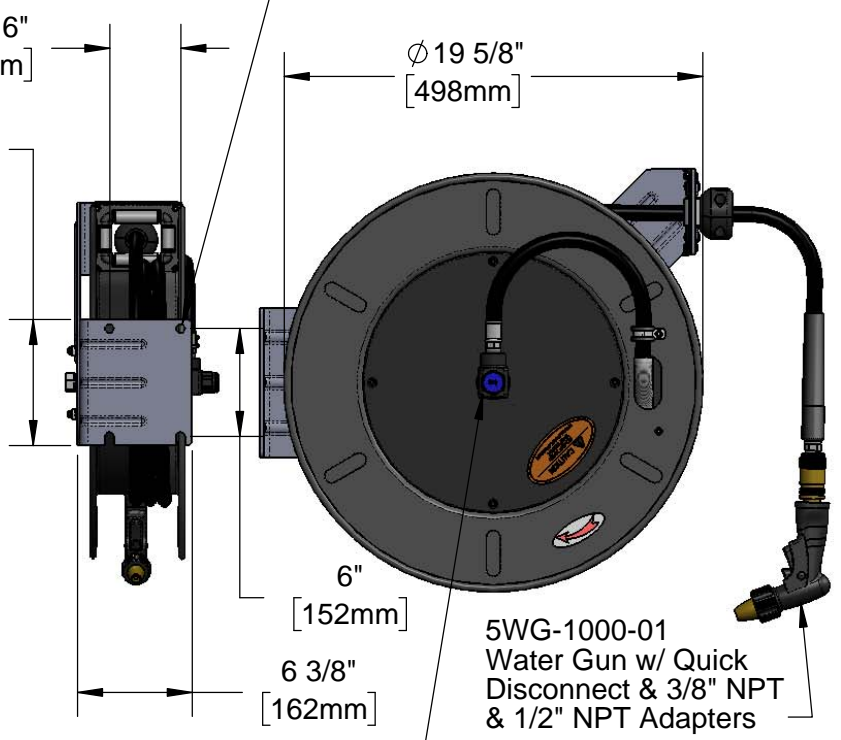
Job Name _____ Date _____
 Model Specified _____ Quantity _____
 Customer/Wholesaler _____
 Contractor _____
 Architect/Engineer _____



Black Powder Coated Steel w/ ϕ 3/8" x 50' Hose

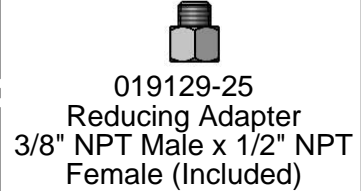


ϕ 1/2" [13mm] Mounting Holes & Slots



5WG-1000-01 Water Gun w/ Quick Disconnect & 3/8" NPT & 1/2" NPT Adapters

Stainless Steel Shaft & Brass Swivel w/ 3/8" NPT Female Inlet (Left Side of Reel)



Model Number
5HR-242-09-A

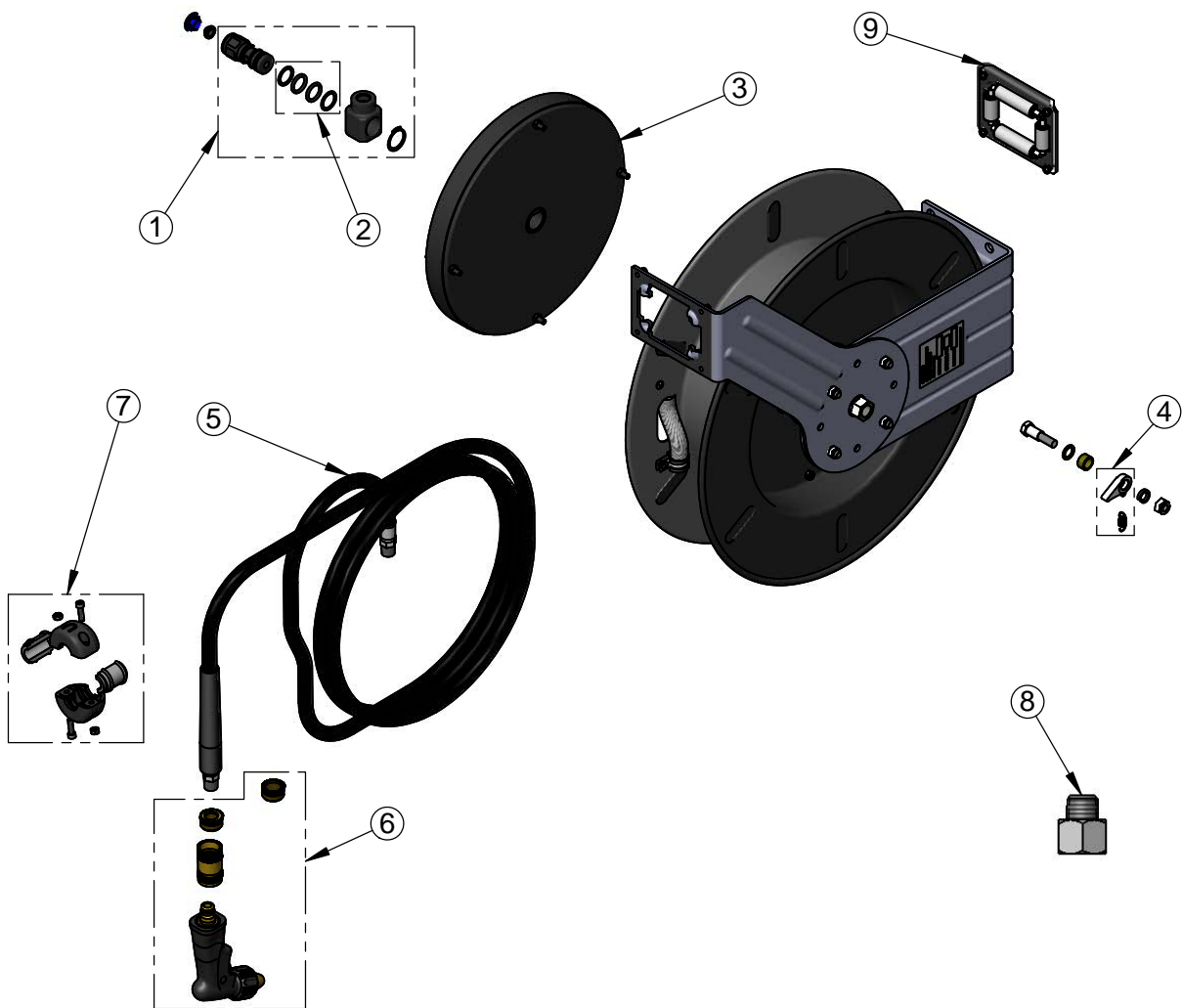
Product Compliance:
 EPAct 2005 Non-Compliant (PRSV)
 NSF 61 Exempt (Non-Potable)

Product Specifications:
 Black Powder Coated Steel, Open Hose Reel w/ ϕ 3/8" x 50' Hose, Reducing Adapter & Water Gun w/ Adapters

equip Foodservice Accessories

2 Saddleback Cove, P.O. Box 1088
 Travelers Rest, South Carolina 29690
 Phone: 800.891.4808 Fax: 800.868.0084
 equip.tsbrass.com

ITEM NO.	SALES NO.	DESCRIPTION
1	5HR-2SA	Complete 3/8" Swivel
2	014948-45	Seal Kit
3	G016684-45	Spring
4	014940-45	Ratchet Repair Kit
5	5HR-2HSE-50	Ø 3/8" x 50' Hose
6	5WG-1000-01	equip Water Gun w/ QD, 3/8" NPT & 1/2" NPT Adapters
7	019246-45	Hose Stop Repair Kit
8	019129-25	Reducing Adapter, 3/8" NPT Male x 1/2" NPT Female
9	G016635-45	Roller Kit

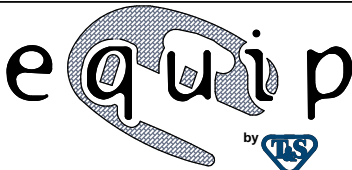


Model Number
5HR-242-09-A

Product Specifications:
Black Powder Coated Steel, Open Hose Reel
w/ Ø3/8" x 50' Hose, Reducing Adapter &
Water Gun w/ Adapters

Product Compliance:
EPAct 2005 Non-Compliant (PRSV)
NSF 61 Exempt (Non-Potable)

equip
Foodservice
Accessories



2 Saddleback Cove, P.O. Box 1088
Travelers Rest, South Carolina 29690
Phone: 800.891.4808 Fax: 800.868.0084
equip.tsbrass.com