

This Space for Architect/Engineer Approval

Job Name _____ Date _____
 Model Specified _____ Quantity _____
 Customer/Wholesaler _____
 Contractor _____
 Architect/Engineer _____

Universal EasyInstall
 Stainless Steel Wall Mount
 Swing Bracket w/ 100° Rotation

B-0963
 Continuous Pressure
 Vacuum Breaker w/
 Integral Check Valve

Stainless Steel
 Quick Disconnect
 3/8" NPT x 36"
 Flexible Water
 Connector

3/8" NPT x 40"
 Riser
 (2) 013716-40
 Wall Brackets

2 3/4"
 [70mm]
 Ø 2" [51mm]
 Flanges w/
 1/2" NPT
 Female Inlets
 & In-Line
 Check Valves

Adjustable From
 7 3/4" to 8 1/4"
 [197mm to 210mm]

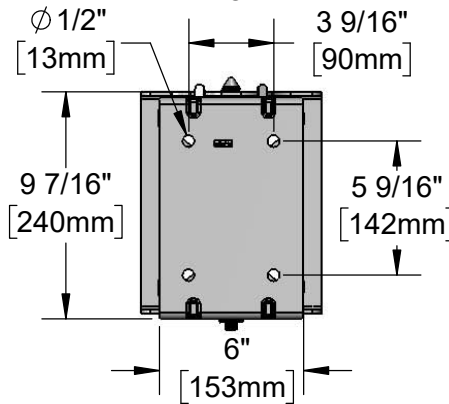
8" Wall Mount
 Mixing Faucet,
 Quarter-Turn
 Ceramic Cartridges
 & equip Lever Handles
 w/ Color Coded Indexes

Black Powder Coated Hose Reel
 w/ 50' of Ø 3/8" Hose

5SV-WH
 High Flow
 Spray Valve

15"
 [381mm]

Mounting Details



44 15/16"
 [1141mm]

2 3/8"
 [60mm]

Model Number

5HR-242-01WE1

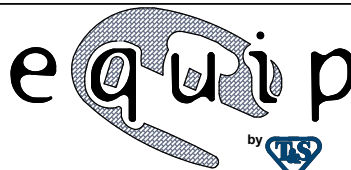
Product Compliance:

NSF 61 Exempt (Non-Potable)
 2019 DOE PRSV Non-Compliant
 ASSE 1056 (VB)

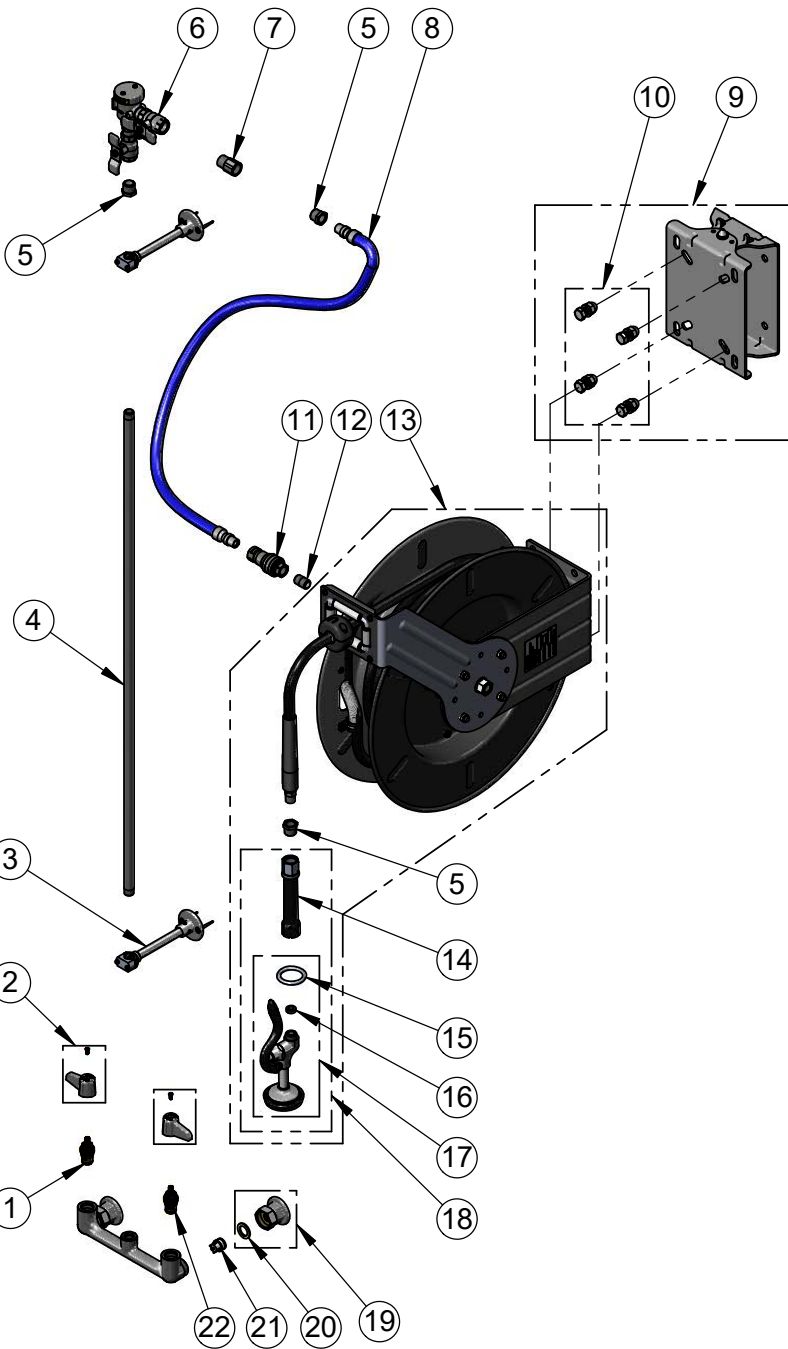
Product Specifications:

Open Epoxy Coated Steel Hose Reel w/ 50' of 3/8" Hose,
 High Flow Spray Valve, Vacuum Breaker, 3/8" NPT Flexible
 Water Hose, 8" Wall Mount Mixing Faucet w/ In-Line Check Valves,
 1/2" NPT Female Inlets, (2) Wall Brackets, Universal Swing Bracket

equip
 Foodservice
 Accessories



2 Saddleback Cove, P.O. Box 1088
 Travelers Rest, South Carolina 29690
 Phone: 800.891.4808 Fax: 800.868.0084
 equip.tsbrass.com



ITEM NO.	SALES NO.	DESCRIPTION
1	013787-45	equip Ceramic Cartridge, RTC
2	5-HDL-L	equip Lever Handle w/ Color Coded Screws
3	013716-40	6" Wall Bracket
4	002558-40	3/8" NPT x 40" Riser
5	001359-40	Hex Bushing, 1/2" NPT Male x 3/8" NPT Female
6	B-0963	Continuous Pressure VB w/ Integral Check Valve
7	015073-40	Check Valve w/ 1/2" NPT Adapter
8	HW-2B-36	3/8" NPT x 36" Flexible Water Hose
9	G019430-45	Universal EasyInstall Stainless Steel Swing Bracket
10	019191-45K	Hose Reel Bracket Mounting Kit
11	AW-5B	3/8" NPT Quick Disconnect
12	002535-25	3/8" Close Nipple
13	5HR-242-01	50' of 3/8" equip Open Coated Hose Reel
14	5HR-HDL	Hose Reel Grip Handle
15	000907-45	Spray Valve Hold Down Ring
16	010476-45	#27 Washer
17	5SV-H	High Flow Spray Valve
18	5SV-WH	High Flow Spray Valve, Handle, & Ring
19	00AA	1/2" NPT Female Inlet Flange
20	001019-45	Coupling Nut Washer
21	013840-45	20mm Check Valve
22	013788-45	equip Ceramic Cartridge, LTC

Model Number

5HR-242-01WE1

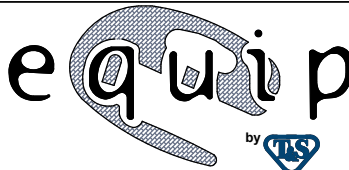
Product Specifications:

Open Epoxy Coated Steel Hose Reel w/ 50' of 3/8" Hose, High Flow Spray Valve, Vacuum Breaker, 3/8" NPT Flexible Water Hose, 8" Wall Mount Mixing Faucet w/ In-Line Check Valves, 1/2" NPT Female Inlets, (2) Wall Brackets, Universal Swing Bracket

Product Compliance:

NSF 61 Exempt (Non-Potable)
2019 DOE PRSV Non-Compliant
ASSE 1056 (VB)

equip
Foodservice
Accessories



2 Saddleback Cove, P.O. Box 1088
Travelers Rest, South Carolina 29690
Phone: 800.891.4808 Fax: 800.868.0084
equip.tsbrass.com