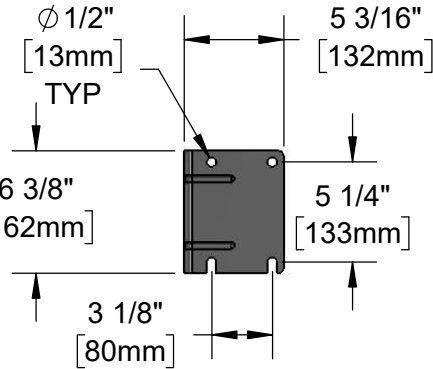
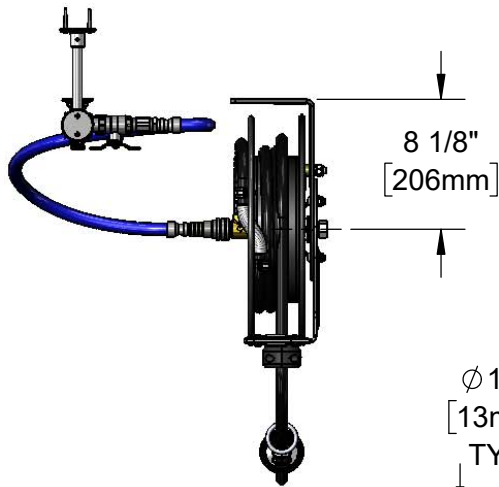


This Space for Architect/Engineer Approval

Job Name _____ Date _____
 Model Specified _____ Quantity _____
 Customer/Wholesaler _____
 Contractor _____
 Architect/Engineer _____

Mounting Details



B-0963
 Continuous Pressure
 Vacuum Breaker w/
 Integral Check Valve

Stainless Steel
 Quick Disconnect
 3/8" NPT x 36"
 Flexible Water
 Connector

3/8" NPT x 40"
 Riser
 (2) 013716-40
 Wall Brackets

Single Supply
 Wall Mount Faucet,
 Quarter-Turn
 Ceramic Cartridges
 & equip Lever Handle

Black Powder Coated Hose Reel
 w/ 35' of ϕ 3/8" Hose

5SV-WH
 High Flow
 Spray Valve

1 7/8"
 [48mm]

45 1/4"
 [1149mm]

1 5/8"
 [41mm]

ϕ 1 15/16"
 [50mm]

Rough-In Requirement:
 ϕ 1" [25mm] Mounting Hole

Model Number

5HR-232-01XE2

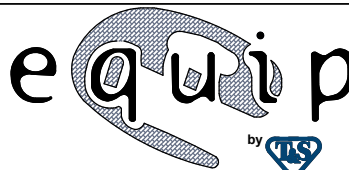
Product Specifications:

Open Epoxy Coated Steel Hose Reel w/ 35' of 3/8" Hose,
 High Flow Spray Valve, Vacuum Breaker, 3/8" NPT Flexible
 Water Hose, Single Supply Wall Mount Faucet,
 1/2" NPT Female Inlets, & (2) Wall Brackets

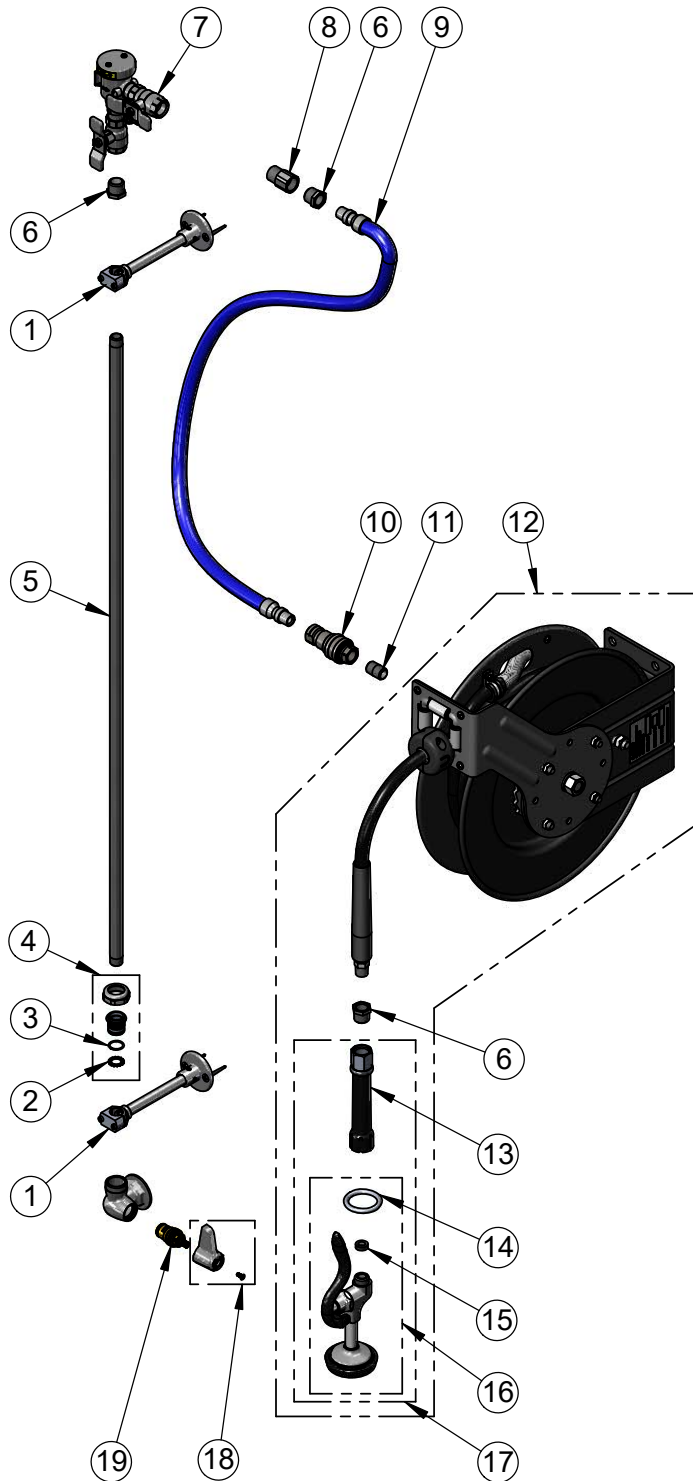
Product Compliance:

NSF 61 Exempt (Non-Potable)
 2019 DOE PRSV Non-Compliant
 ASSE 1056 (VB)

equip
 Foodservice
 Accessories



2 Saddleback Cove, P.O. Box 1088
 Travelers Rest, South Carolina 29690
 Phone: 800.891.4808 Fax: 800.868.0084
 equip.tsbrass.com



ITEM NO.	SALES NO.	DESCRIPTION
1	013716-40	6" Wall Bracket
2	014200-45	Star Washer, Anti-Rotation
3	001065-45	O-Ring
4	EU-EZ-K	EU EasyInstall Kit: Nut, Bushing, O-Ring & Lock Washer
5	002558-40	3/8" NPT x 40" Riser
6	001359-40	Hex Bushing, 1/2" NPT Male x 3/8" NPT Female
7	B-0963	Continuous Pressure VB w/ Integral Check Valve
8	015073-40	Check Valve w/ 1/2" NPT Adapter
9	HW-2B-36	3/8" NPT x 36" Flexible Water Hose
10	AW-5B	3/8" NPT Quick Disconnect
11	002535-25	3/8" Close Nipple
12	5HR-232-01	35' of 3/8" equip Open Coated Hose Reel
13	5HR-HDL	Hose Reel Grip Handle
14	000907-45	Spray Valve Hold Down Ring
15	010476-45	#27 Washer
16	5SV-H	High Flow Spray Valve
17	5SV-WH	High Flow Spray Valve, Handle, & Ring
18	5-HDL-L	equip Lever Handle w/ Color Coded Screws
19	013787-45	equip Ceramic Cartridge, RTC

Model Number

5HR-232-01XE2

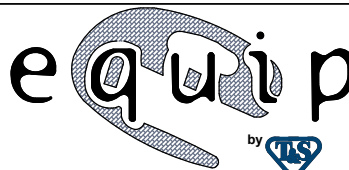
Product Specifications:

Open Epoxy Coated Steel Hose Reel w/ 35' of 3/8" Hose, High Flow Spray Valve, Vacuum Breaker, 3/8" NPT Flexible Water Hose, Single Supply Wall Mount Faucet, 1/2" NPT Female Inlets, & (2) Wall Brackets

Product Compliance:

NSF 61 Exempt (Non-Potable)
2019 DOE PRSV Non-Compliant
ASSE 1056 (VB)

equip
Foodservice
Accessories



2 Saddleback Cove, P.O. Box 1088
Travelers Rest, South Carolina 29690
Phone: 800.891.4808 Fax: 800.868.0084
equip.tsbrass.com