



ADA Compliant

This Space for Architect/Engineer Approval

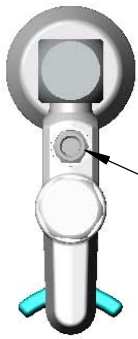
Job Name _____ Date _____

Model Specified _____ Quantity _____

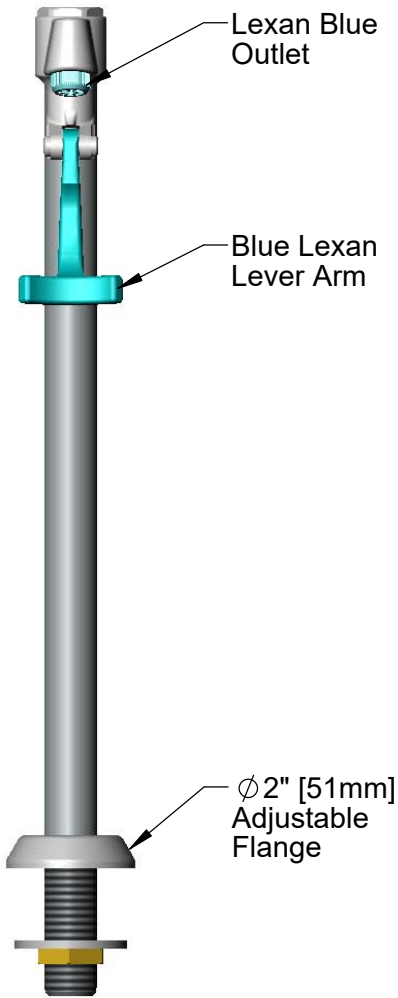
Customer/Wholesaler _____

Contractor _____

Architect/Engineer _____



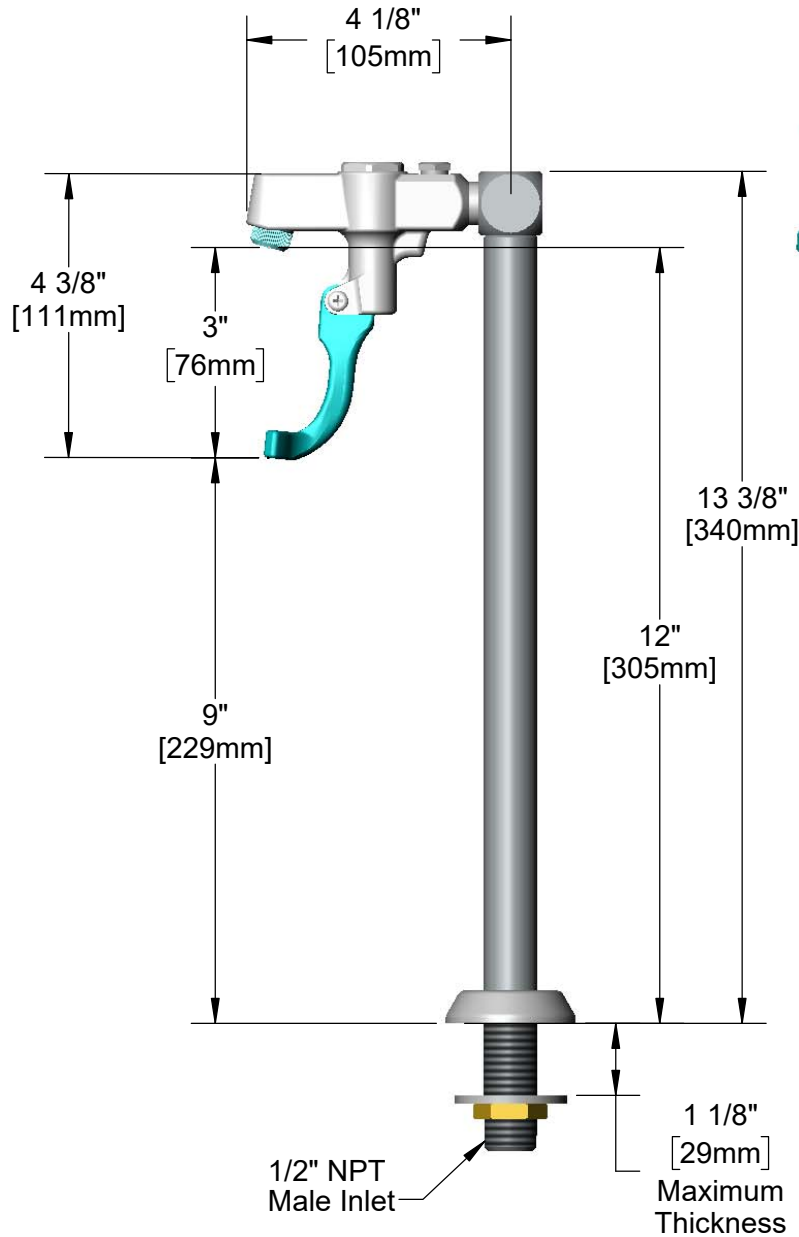
Volume Control Adjustable w/ Screwdriver



Lexan Blue Outlet

Blue Lexan Lever Arm

Ø 2" [51mm] Adjustable Flange



Rough-In Requirement:
Ø 1" [25mm] Hole

Model Number

5GF-12P

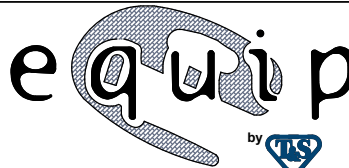
Product Specifications:

Pedestal Type Glass Filler, Push Back Design, 1/2" NPT Male Shank, Adjustable Flange, Blue Self-Closing Lexan Arm

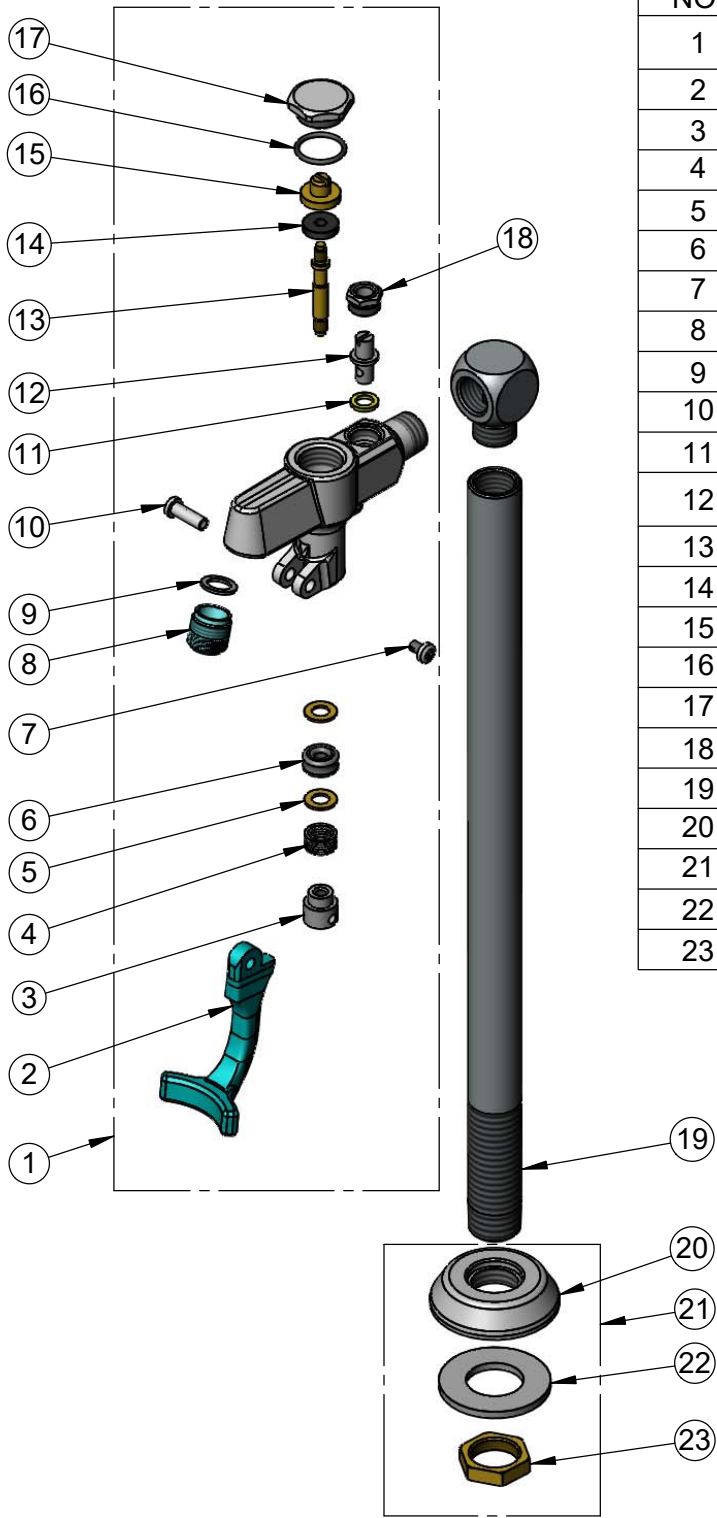
Product Compliance:

ASME A112.18.1 / CSA B125.1
NSF 61 - Section 9
NSF 372 (Low Lead Content)
ANSI A117.1 (ADA)

equip
Foodservice
Accessories



2 Saddleback Cove, P.O. Box 1088
Travelers Rest, South Carolina 29690
Phone: 800.891.4808 Fax: 800.868.0084
equip.tsbrass.com



| ITEM NO. | SALES NO. | DESCRIPTION |
|----------|-----------|--|
| 1 | 5GF-W | Wall Mount, 3/8" Male NPT Retro Glass Filler |
| 2 | 001145-45 | Lever Arm, Retro Glass Filler |
| 3 | 000752-25 | Push Button, Retro Glass Filler |
| 4 | 000895-45 | Spring |
| 5 | 000974-45 | Bonnet Washer |
| 6 | 001100-45 | Packing Seal |
| 7 | 003199-45 | Spray Valve Handle Screw |
| 8 | 003090-45 | Outlet Tip, Retro Glass Filler |
| 9 | 001030-45 | Washer, Retro Glass Filler Outlet |
| 10 | 003198-45 | Spray Valve Handle Nut |
| 11 | 001031-45 | Washer, Volume Control |
| 12 | 000826-20 | Stem, Retro Glass Filler Volume Control |
| 13 | 000664-20 | Stem |
| 14 | 001094-45 | Seat Washer |
| 15 | 000664-20 | Seat Washer Holder |
| 16 | 001062-45 | O-Ring |
| 17 | 000623-40 | Hex Cap |
| 18 | 000714-25 | Nut, Retro Glass Filler Volume Control |
| 19 | 000430-40 | Pedestal |
| 20 | 000024-40 | Deck Flange |
| 21 | 016783-40 | Adjustable Deck Flange |
| 22 | 001033-45 | Pedestal Washer |
| 23 | 002954-45 | Shank Lock Nut |

Model Number

5GF-12P

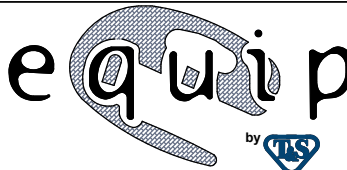
Product Specifications:

Pedestal Type Glass Filler, Push Back Design, 1/2" NPT Male Shank, Adjustable Flange, Blue Self-Closing Lexan Arm

Product Compliance:

ASME A112.18.1 / CSA B125.1
 NSF 61 - Section 9
 NSF 372 (Low Lead Content)
 ANSI A117.1 (ADA)

equip
 Foodservice
 Accessories



2 Saddleback Cove, P.O. Box 1088
 Travelers Rest, South Carolina 29690
 Phone: 800.891.4808 Fax: 800.868.0084
 equip.tsbrass.com