



**ADA Compliant**

*This Space for Architect/Engineer Approval*

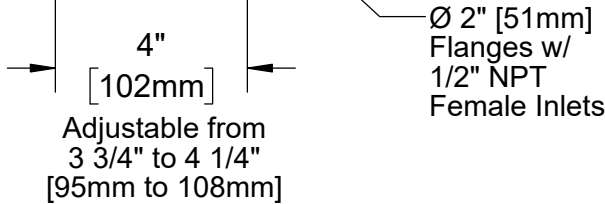
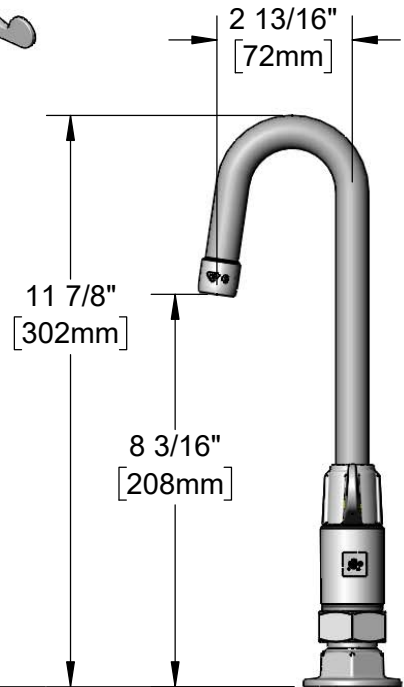
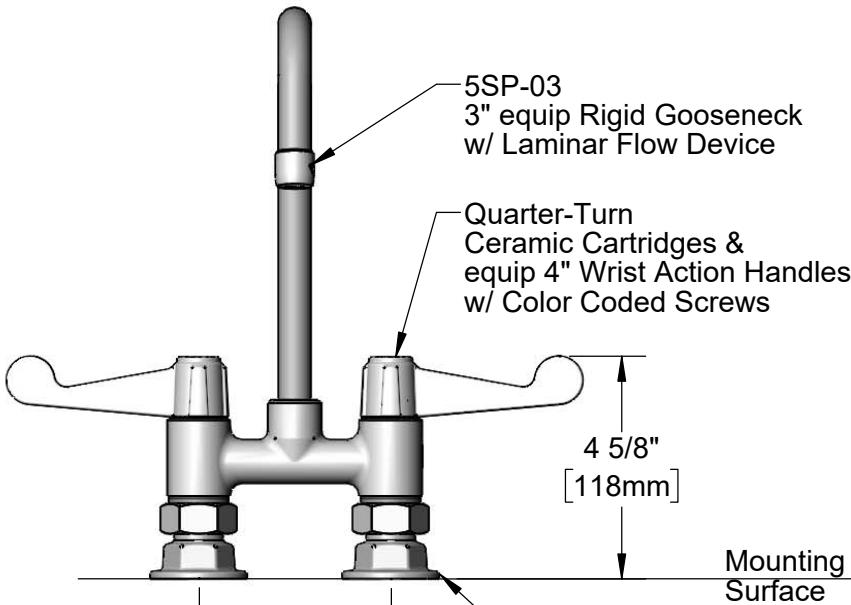
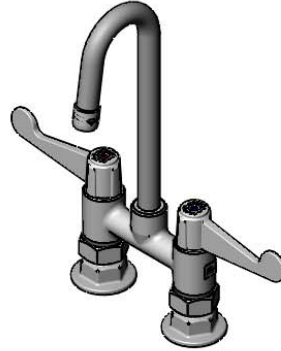
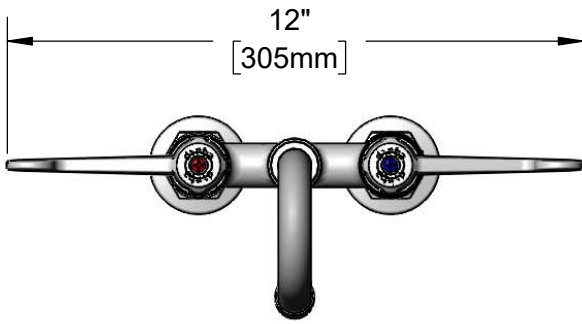
Job Name \_\_\_\_\_ Date \_\_\_\_\_

Model Specified \_\_\_\_\_ Quantity \_\_\_\_\_

Customer/Wholesaler \_\_\_\_\_

Contractor \_\_\_\_\_

Architect/Engineer \_\_\_\_\_



**Rough-In Requirement:**  
(2) Ø 1" [25mm] Mounting Holes

Model Number  
**5F-4DWS03**

Product Specifications:  
**4" Deck Mount Faucet w/ Quarter-Turn Ceramic Cartridges, equip 4" Wrist Action Handles, 3" equip Rigid Gooseneck & 1/2" NPT Supply Nipple Kit**

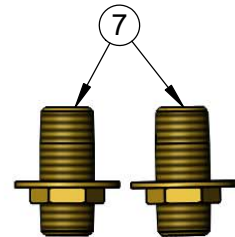
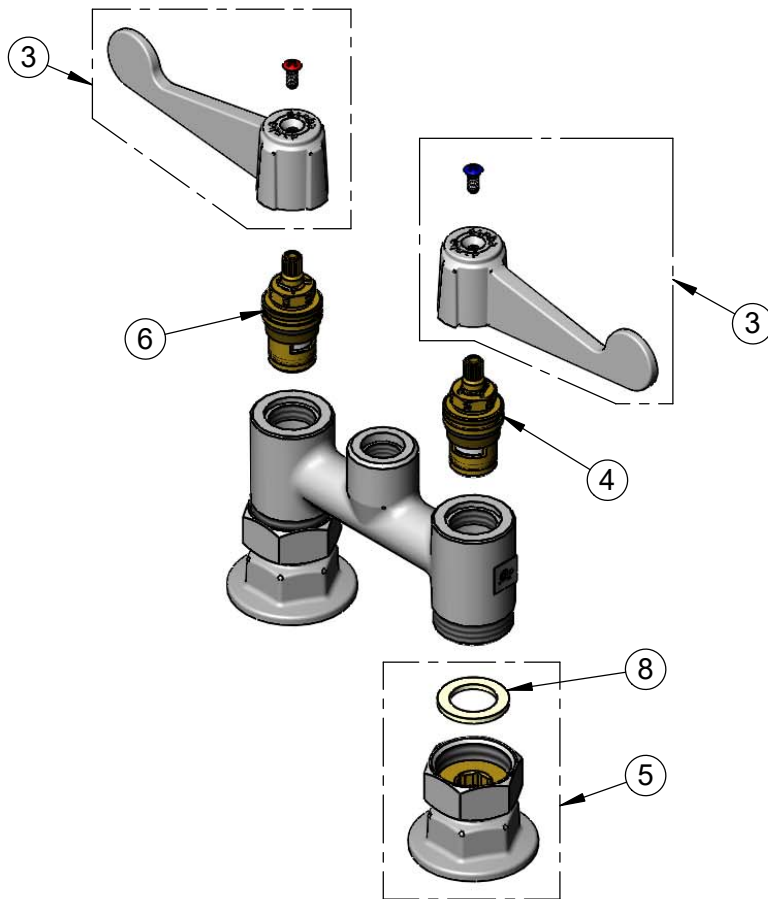
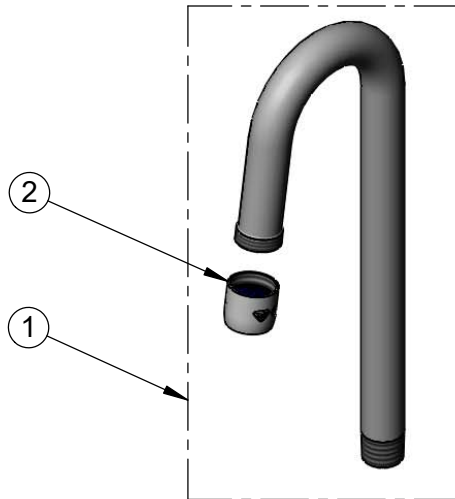
Product Compliance:  
ASME A112.18.1 / CSA B125.1  
NSF 61 - Section 9  
NSF 372 (Low Lead Content)  
ANSI A117.1 (ADA)

equip Foodservice Accessories



2 Saddleback Cove, P.O. Box 1088  
Travelers Rest, South Carolina 29690  
Phone: 800.891.4808 Fax: 800.868.0084  
equip.tsbrass.com

ITEM NO.	SALES NO.	DESCRIPTION
1	5SP-03	3" equip Rigid Gooseneck
2	014250-45	Laminar Flow Device
3	5-HDL-W	equip 4" Wrist Action Handle w/ Color Coded Screws
4	013788-45	equip Quarter-Turn Ceramic Cartridge, LTC
5	00AA	1/2" NPT Female Eccentric Flange
6	013787-45	equip Quarter-Turn Ceramic Cartridge, RTC
7	B-0425-M	1/2" NPT Supply Nipple Kit (2)
8	001019-45	Coupling Nut Washer



Model Number

**5F-4DWS03**

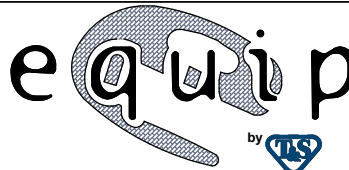
Product Specifications:

4" Deck Mount Faucet w/ Quarter-Turn Ceramic Cartridges,  
equip 4" Wrist Action Handles, 3" equip Rigid Gooseneck &  
1/2" NPT Supply Nipple Kit

Product Compliance:

ASME A112.18.1 / CSA B125.1  
NSF 61 - Section 9  
NSF 372 (Low Lead Content)  
ANSI A117.1 (ADA)

equip  
Foodservice  
Accessories



2 Saddleback Cove, P.O. Box 1088  
Travelers Rest, South Carolina 29690  
Phone: 800.891.4808 Fax: 800.868.0084  
equip.tsbrass.com

Drawn: JRM

Checked:

Approved:

Date:

Scale: NTS

Sheet: 2 of 2