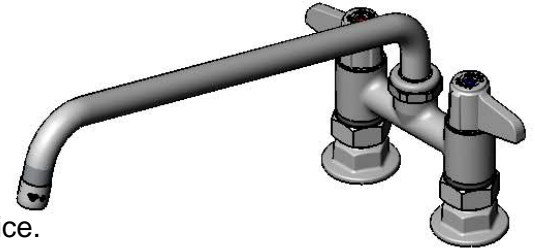


**ADA Compliant**

*This Space for Architect/Engineer Approval*

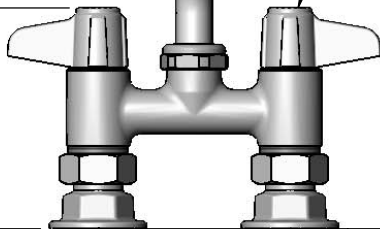
Job Name \_\_\_\_\_ Date \_\_\_\_\_  
 Model Specified \_\_\_\_\_ Quantity \_\_\_\_\_  
 Customer/Wholesaler \_\_\_\_\_  
 Contractor \_\_\_\_\_  
 Architect/Engineer \_\_\_\_\_



5SP-14  
 14" equip Swing Nozzle  
 w/ Laminar Full Flow Device.  
 Rigid Conversion Requires  
 014200-45 Lock Washer  
 (Sold Separately)

Ceramic Cartridges &  
 equip Lever Handles  
 w/ Color Coded Screws

4 5/8"  
 [117mm]

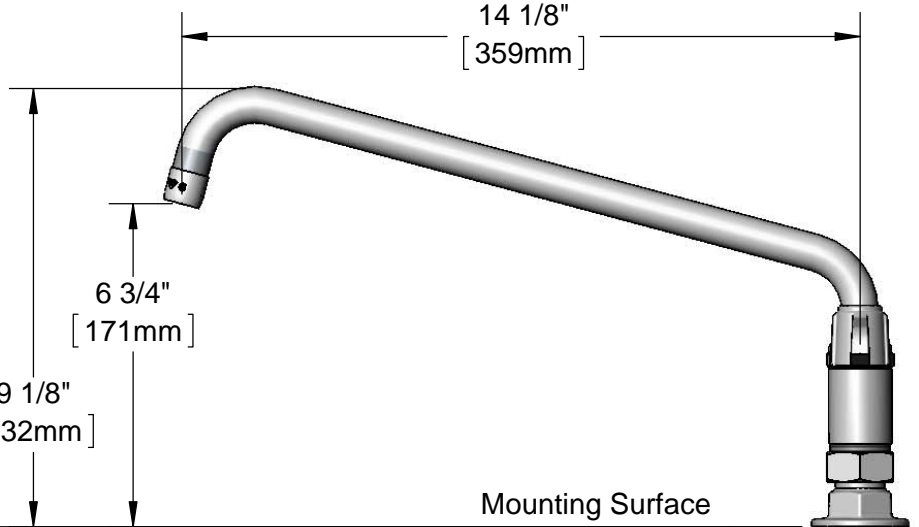


4"  
 [102mm]  
 Adjustable from  
 3 3/4" to 4 1/4"  
 [95mm to 108mm]

9 1/8"  
 [232mm]

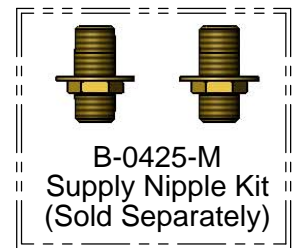
6 3/4"  
 [171mm]

14 1/8"  
 [359mm]



Mounting Surface

Ø 2" [51mm]  
 Flanges w/  
 1/2" NPT  
 Female Inlets



Model Number

**5F-4DLX14**

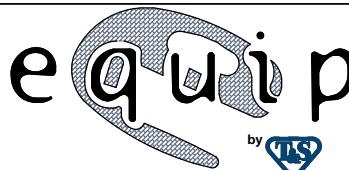
Product Specifications:

4" Deck Mount Mixing Faucet w/ Ceramic Cartridges, equip Lever Handles, 14" equip Swing Nozzle & 1/2" NPT Female Inlets

Product Compliance:

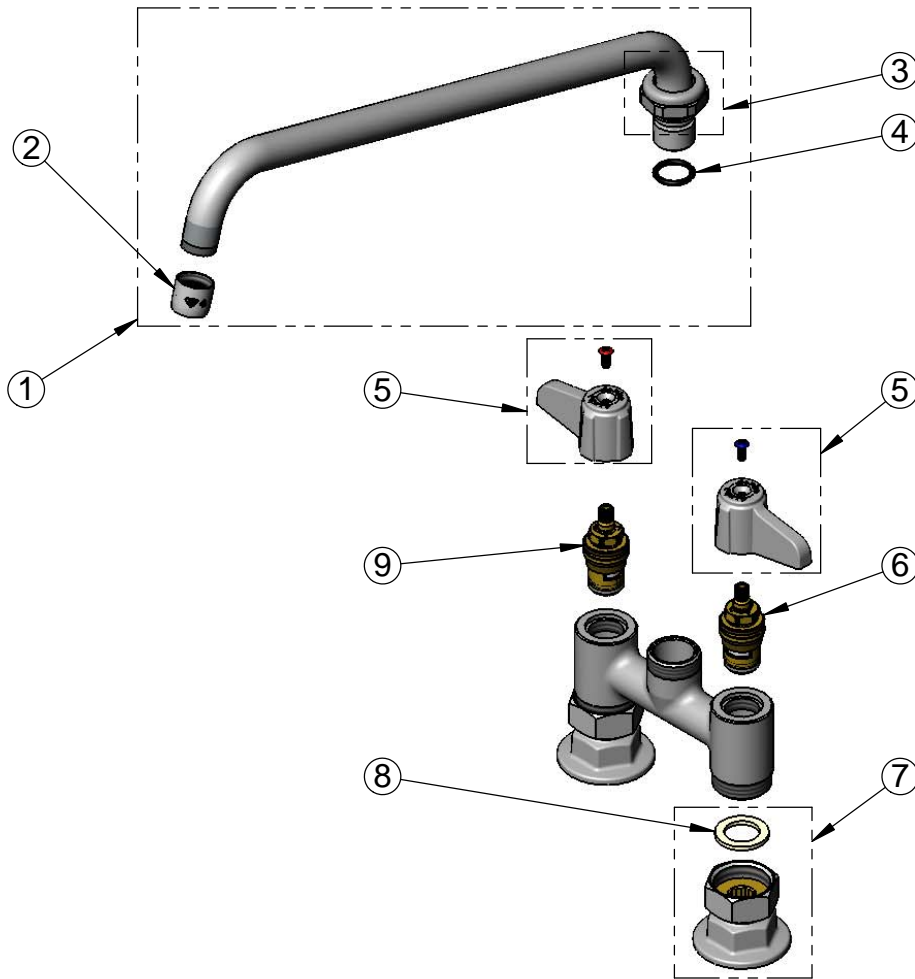
ASME A112.18.1 / CSA B125.1  
 NSF 61 - Section 9  
 NSF 372 (Low Lead Content)  
 ANSI A117.1 (ADA)

equip  
 Foodservice  
 Accessories



2 Saddleback Cove, P.O. Box 1088  
 Travelers Rest, South Carolina 29690  
 Phone: 800.891.4808 Fax: 800.868.0084  
 equip.tsbrass.com

ITEM NO.	SALES NO.	DESCRIPTION
1	5SP-14	14" equip Swing Nozzle
2	014250-45	Laminar Full Flow Device
3	013839-25	equip Swivel Nut
4	013848-45	equip Swivel Piece O-ring
5	5-HDL-L	equip Lever Handle w/ Color Coded Screws
6	013788-45	equip Ceramic Cartridge, LTC
7	00AA	1/2" NPT Female Eccentric Flange
8	001019-45	Coupling Nut Washer
9	013787-45	equip Ceramic Cartridge, RTC



Model Number

**5F-4DLX14**

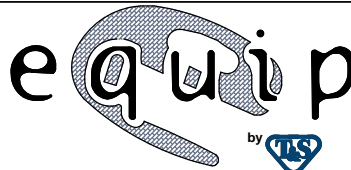
Product Specifications:

4" Deck Mount Mixing Faucet w/ Ceramic Cartridges, equip Lever Handles, 14" equip Swing Nozzle & 1/2" NPT Female Inlets

Product Compliance:

ASME A112.18.1 / CSA B125.1  
NSF 61 - Section 9  
NSF 372 (Low Lead Content)  
ANSI A117.1 (ADA)

equip  
Foodservice  
Accessories



2 Saddleback Cove, P.O. Box 1088  
Travelers Rest, South Carolina 29690  
Phone: 800.891.4808 Fax: 800.868.0084  
equip.tsbrass.com