

This Space for Architect/Engineer Approval

Job Name _____ Date _____

Model Specified _____ Quantity _____

Customer/Wholesaler _____

Contractor _____

Architect/Engineer _____

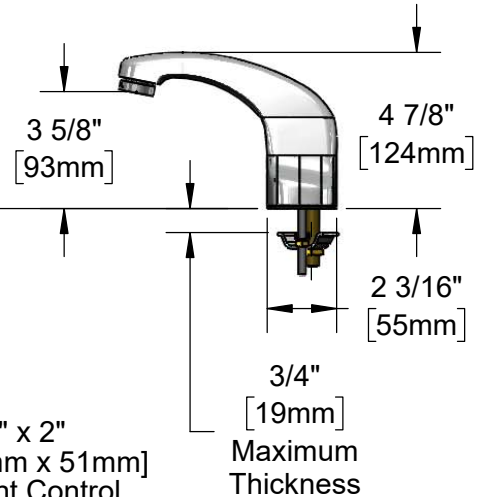


ADA Compliant

Polished Chrome Plated
Solid Brass Cast Spout w/
B-0199-09-N05
VR 0.5 GPM [1.9 LPM]
Non-Aerated Spray Device
& Key

24" [610mm]
Sensor Cable

Mounting Surface



Hydro-Generator Power Supply.
No AA Batteries or AC Adapter
Needed to Supply Power to
Faucet. (Connect Plug to Power
Port)

3 5/8" x 4 3/16" x 2"
[92mm x 106mm x 51mm]
Water Resistant Control
Module Box (Black) w/
AC or DC Operated w/
(4) AA Batteries

Optional
100-240 VAC Adapter
w/ 71" [1800mm]
Power Cord. (Remove
Rubber Plugs on Module
and Cable to Connect)

1/2" NPSM x
1/4" NPSM
18" [457mm]
Flexible
Stainless Steel
Hose

Removable
Strainer

(2) 3/8" Compression x 1/2" NPSM
18" [457mm] Flexible Stainless Steel
Supply Hoses

5EF-TMV
ASSE 1070 Thermostatic Temperature
Mixing Valve w/ Check Valves

Rough-In Requirement:

- (1) 1" [25mm] Center Shank Mounting Hole
- (2) 1/2" [13mm] Mounting Stud Holes on 4" [102mm] Centers

Model Number

5EF-2D-DS-V5THG

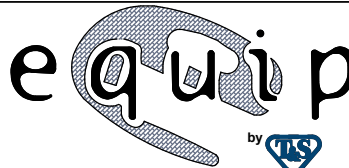
Product Specifications:

Electronic Faucet: Cast Brass Centerset Faucet w/ 4" Mounting Studs, VR 0.5 GPM Non-Aerated Spray Device, Hydro-Generator, AC-DC Control Module, Thermostatic Temperature Control Mixing Valve w/ Check Valves & 18" Long Flexible Supply Hoses

Product Compliance:

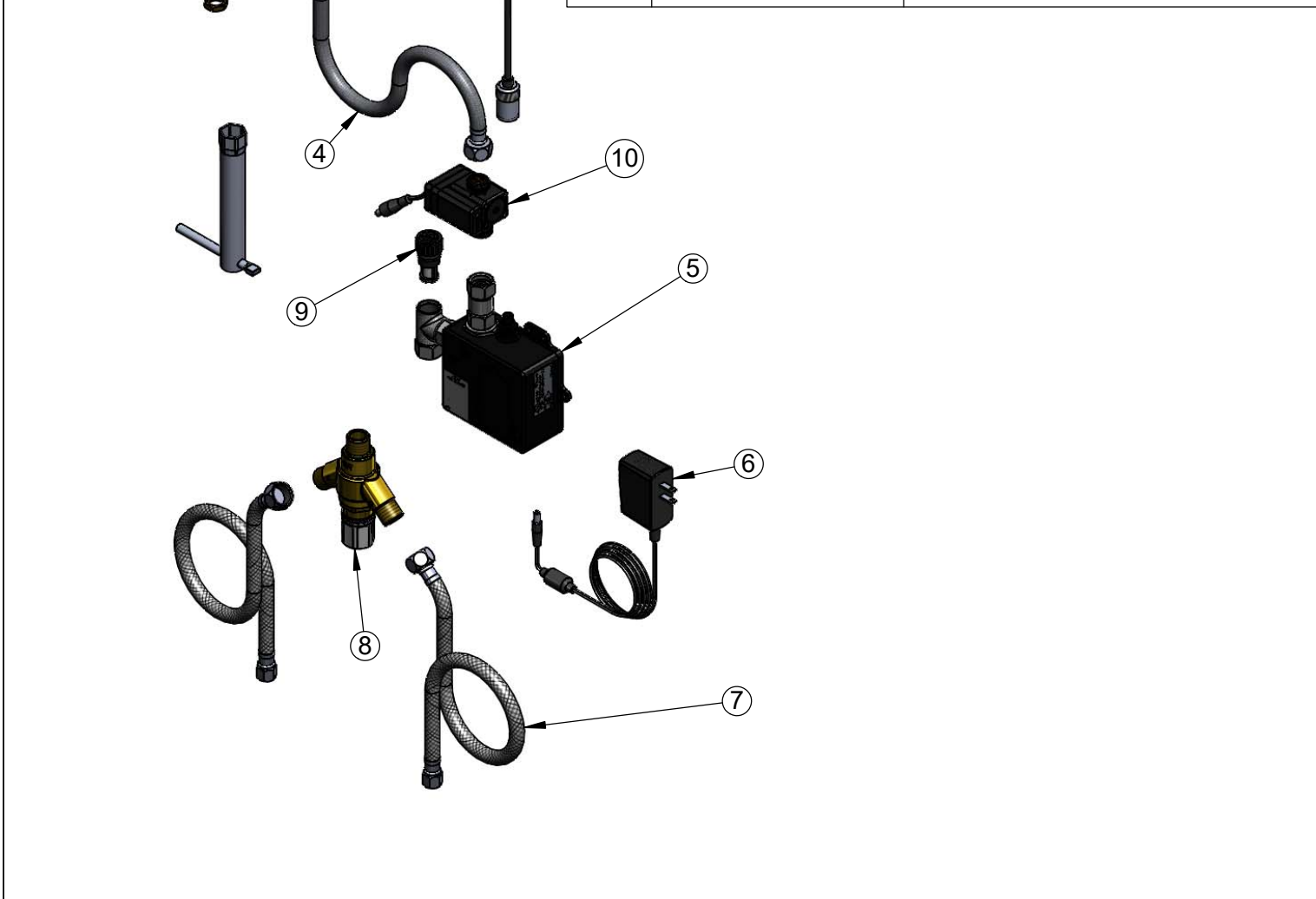
ASME A112.18.1 / CSA B125.1
NSF 61 - Section 9
NSF 372 (Low Lead Content)
ANSI A117.1 (ADA)
UL 1951
ASSE 1070 (TMV)

equip
Foodservice
Accessories



2 Saddleback Cove, P.O. Box 1088
Travelers Rest, South Carolina 29690
Phone: 800.891.4808 Fax: 800.868.0084
equip.tsbrass.com

ITEM NO.	SALES NO.	DESCRIPTION
1	015425-45	Vandal Resistant Key
2	B-0199-09-N05	VR 0.5 GPM Non-Aerated Spray Device, 15/16-27 UN Male w/ Key
3	5EF-0004	24" Sensor Cable
4	016297-45	Inlet Hose, Faucet, 1/2" NPSM Female x 1/4" NPSM Female
5	5EF-0001	equip Sensor Faucet - Control Module
6	5EF-0002	equip AC Transformer, 100-240 VAC
7	5EF-0005	Supply Hose, 9/16-24 Female x 1/2" NPSM
8	5EF-TMV	Thermostatic Mixing Valve
9	5EF-FILTER	Replacement Filter
10	EC-HYDROGEN-LF	Low Flow Hydrogenerator



Model Number
5EF-2D-DS-V5THG

Product Compliance:
ASME A112.18.1 / CSA B125.1
NSF 61 - Section 9
NSF 372 (Low Lead Content)
ANSI A117.1 (ADA)
UL 1951
ASSE 1070 (TMV)

Product Specifications:
Electronic Faucet: Cast Brass Centerset Faucet w/ 4" Mounting Studs, VR 0.5 GPM Non-Aerated Spray Device, Hydro-Generator, AC-DC Control Module, Thermostatic Temperature Control Mixing Valve w/ Check Valves & 18" Long Flexible Supply Hoses

equip Foodservice Accessories



2 Saddleback Cove, P.O. Box 1088
Travelers Rest, South Carolina 29690
Phone: 800.891.4808 Fax: 800.868.0084
equip.tsbrass.com