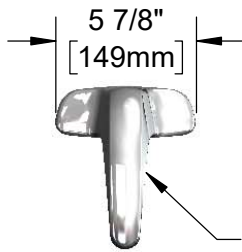
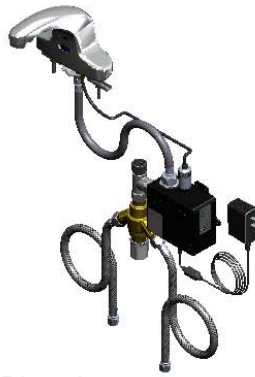




ADA Compliant



Polish Chrome Plated
Cast Spout w/ 2.2 GPM
Vandal Resistant
Aerator & Key



This Space for Architect/Engineer Approval

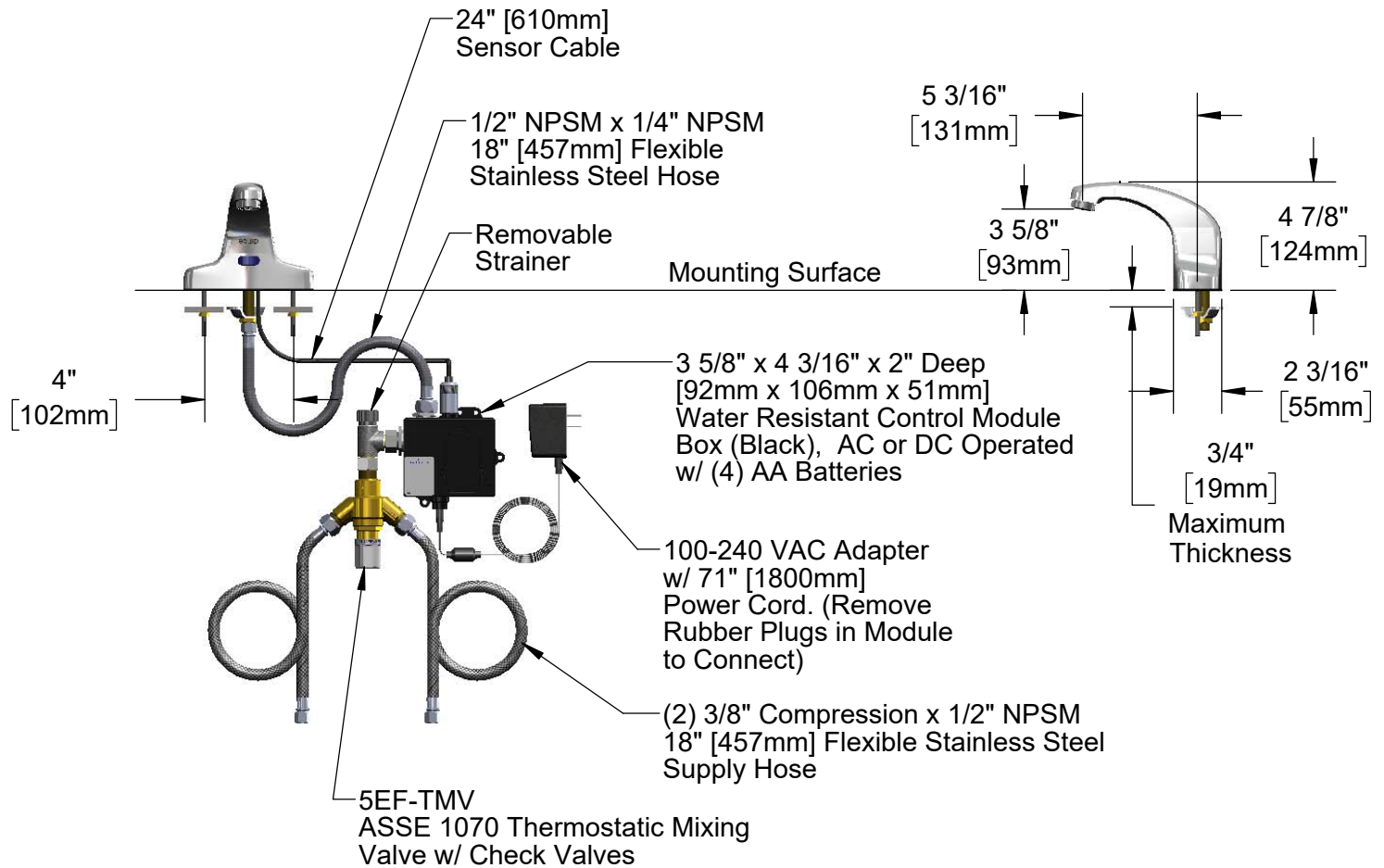
Job Name _____ Date _____

Model Specified _____ Quantity _____

Customer/Wholesaler _____

Contractor _____

Architect/Engineer _____

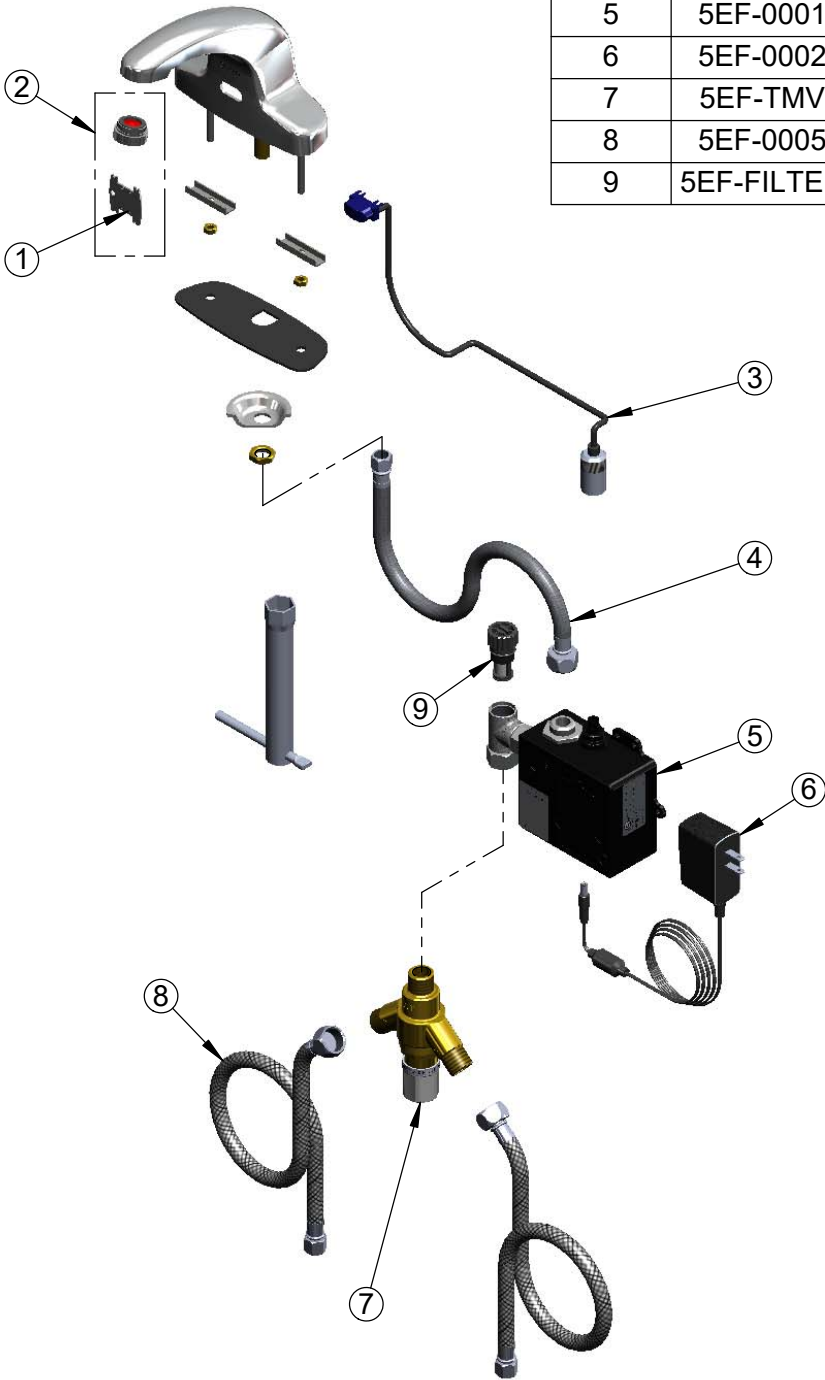


Rough-In Requirement:

- (1) \varnothing 1" [25mm] Center Shank Mounting Hole &
- (2) \varnothing 1/2" [13mm] Mounting Stud Holes on 4" [102mm] Centers

<p>Model Number</p> <p style="text-align: center;">5EF-2D-DS-TMV</p>	<p>Product Specifications:</p> <p style="text-align: center;">Electronic Faucet: 4" Deck Mount Cast Spout Faucet, AC-DC Control Module, Thermostatic Temperature Control Mixing Valve, Check Valves & (2) 18" Flexible Supply Hoses</p>
<p>Product Compliance:</p> <p>ASME A112.18.1 / CSA B125.1 NSF 61 - Section 9 NSF 372 (Low Lead Content) ANSI A117.1 (ADA) UL 1951 ASSE 1070 (TMV)</p>	<div style="display: flex; justify-content: space-between; align-items: center;"> <div data-bbox="600 1906 738 1980"> <p>equip Foodservice Accessories</p> </div> <div data-bbox="743 1858 1096 2026"> </div> <div data-bbox="1101 1894 1567 1995"> <p>2 Saddleback Cove, P.O. Box 1088 Travelers Rest, South Carolina 29690 Phone: 800.891.4808 Fax: 800.868.0084 equip.tsbrass.com</p> </div> </div>

ITEM NO.	SALES NO.	DESCRIPTION
1	015425-45	Vandal Resistant Key
2	B-0199-09	VR 2.2 GPM Aerator, 15/16-27 Male w/ Key
3	5EF-0003	24" Sensor Cable
4	016297-45	Inlet Hose, Faucet, 1/2" NPSM-F x 1/4" NPSM-F
5	5EF-0001	equip Sensor Faucet - Control Module
6	5EF-0002	equip AC Transformer, 100-240 VAC
7	5EF-TMV	ASSE 1070 Thermostatic Mixing Valve
8	5EF-0005	Supply Hose, 9/16-24 Female x 1/2" NPSM
9	5EF-FILTER	Replacement Filter

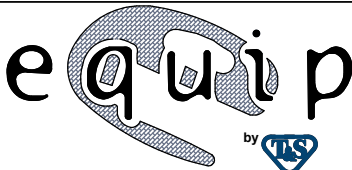


Model Number 5EF-2D-DS-TMV	Product Specifications: Electronic Faucet: 4" Deck Mount Cast Spout Faucet, AC-DC Control Module, Thermostatic Temperature Control Mixing Valve, Check Valves & (2) 18" Flexible Supply Hoses
--------------------------------------	---

Product Compliance:

ASME A112.18.1 / CSA B125.1
 NSF 61 - Section 9
 NSF 372 (Low Lead Content)
 ANSI A117.1 (ADA)
 UL 1951
 ASSE 1070 (TMV)

equip
 Foodservice
 Accessories



2 Saddleback Cove, P.O. Box 1088
 Travelers Rest, South Carolina 29690
 Phone: 800.891.4808 Fax: 800.868.0084
 equip.tsbrass.com