

*This Space for Architect/Engineer Approval*

Job Name \_\_\_\_\_ Date \_\_\_\_\_

Model Specified \_\_\_\_\_ Quantity \_\_\_\_\_

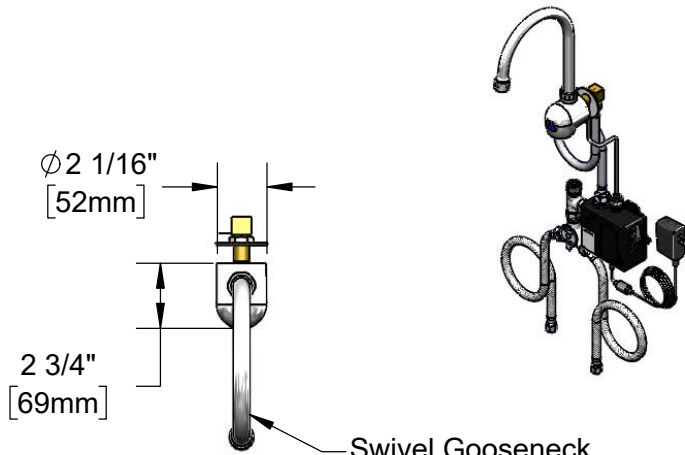
Customer/Wholesaler \_\_\_\_\_

Contractor \_\_\_\_\_

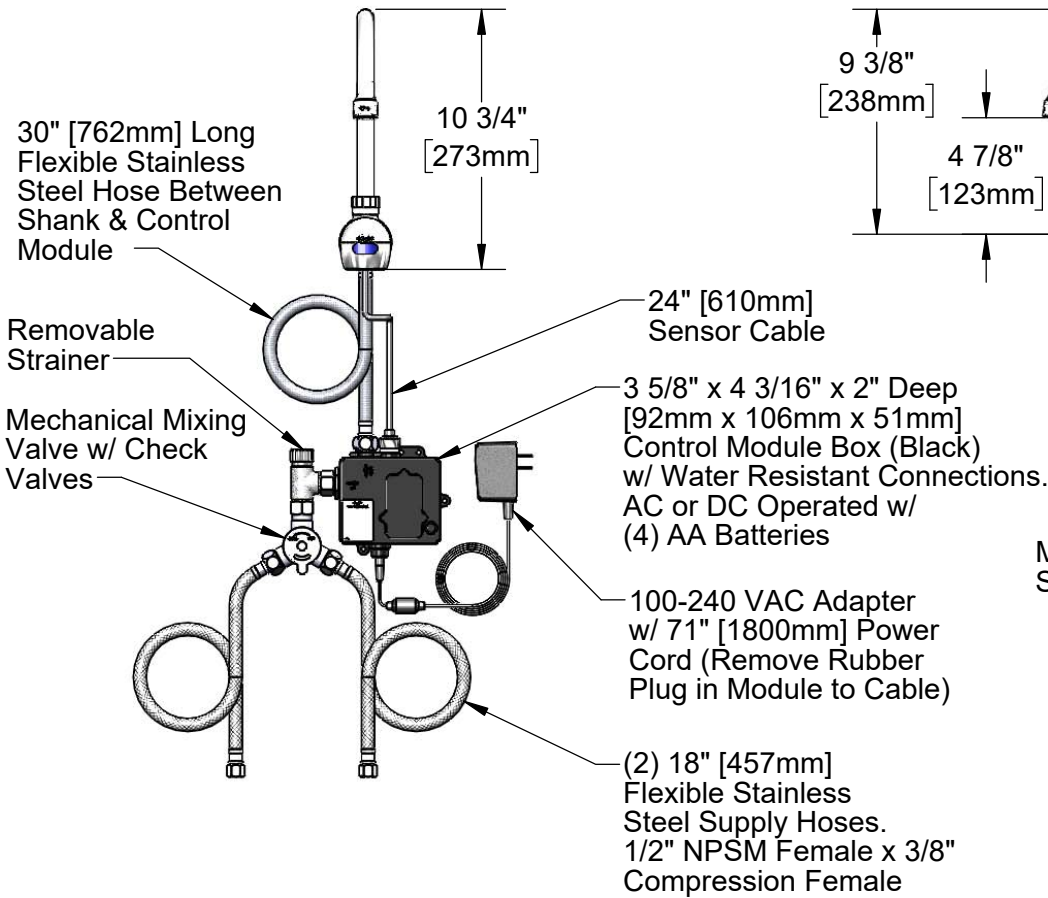
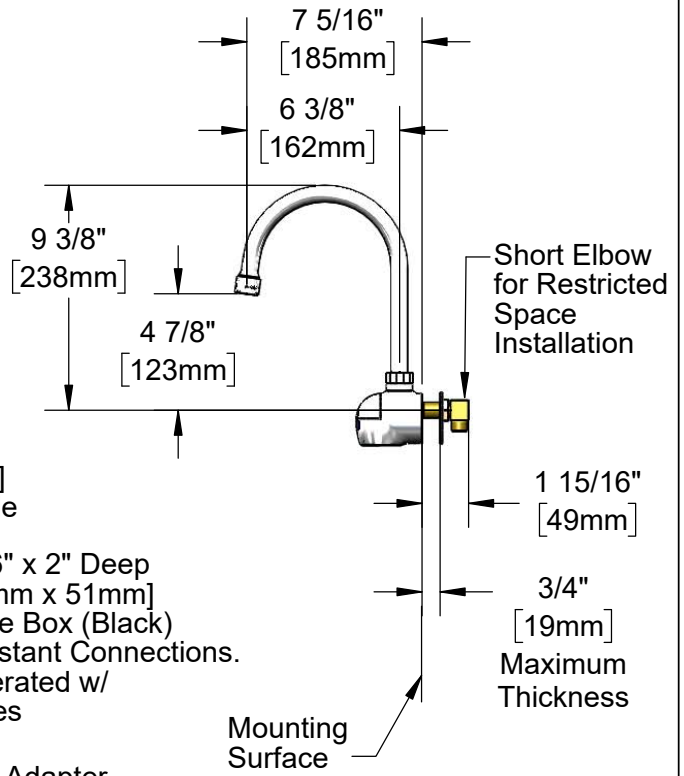
Architect/Engineer \_\_\_\_\_



**ADA Compliant**



Swivel Gooseneck  
w/ 2.2 GPM [8.3 LPM]  
Vandal Resistant Aerator



Rough-In Requirement:  
Ø 1 1/8" [29mm] Mounting Hole

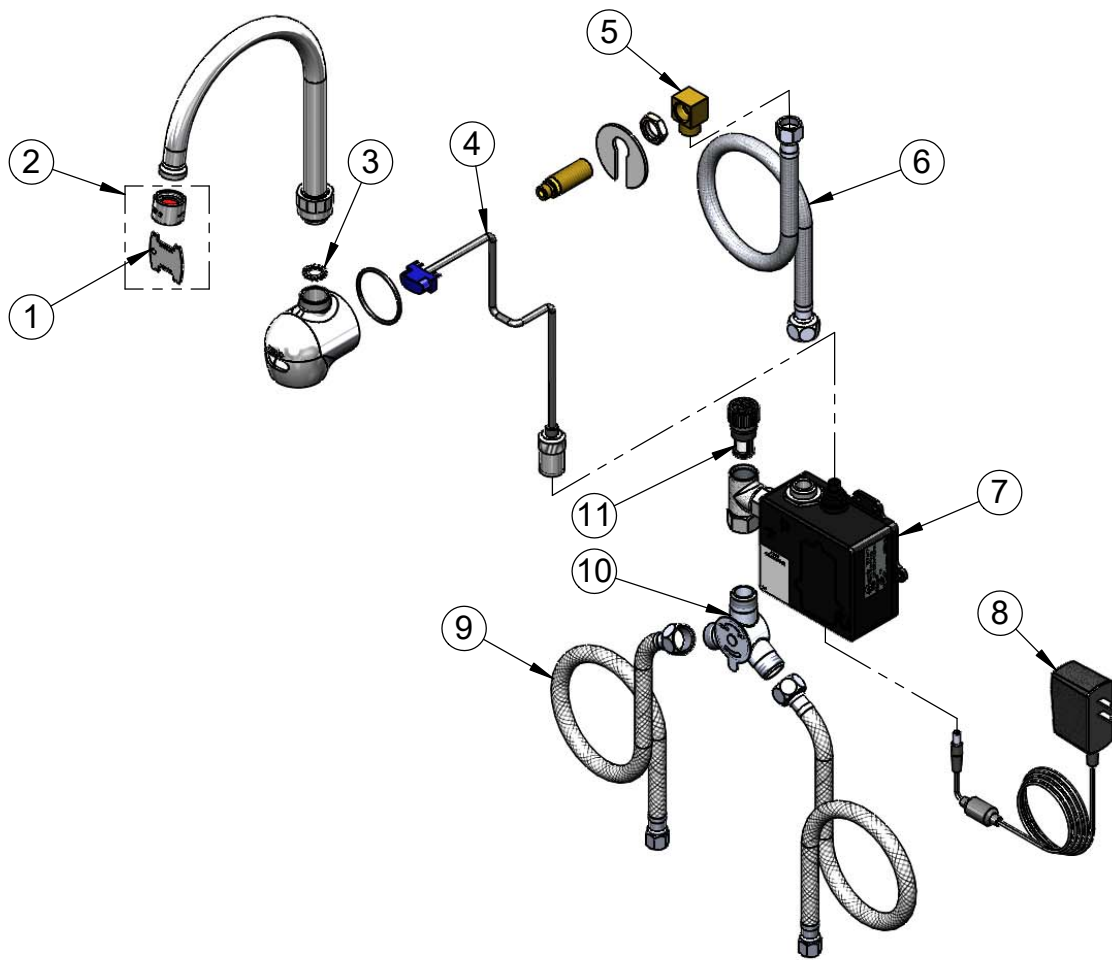
|   |   |
|---|---|
| <p>Model Number</p> <p style="text-align: center;"><b>5EF-1D-WG</b></p> | <p>Product Specifications:</p> <p style="text-align: center;"><b>Electronic Faucet: Wall Mount Swivel Gooseneck, 2.2 GPM VR Aerator, AC-DC Control Module, Temperature Control Mixing Valve, Check Valves &amp; (2) 18" Flexible Supply Hoses</b></p> |
|---|---|

|   |
|---|
| <p>Product Compliance:</p> <p>ASME A112.18.1 / CSA B125.1<br/>NSF 61 - Section 9<br/>NSF 372 (Low Lead Content)<br/>ANSI A117.1 (ADA)<br/>UL 1951</p> |
|---|

equip  
Foodservice  
Accessories

2 Saddleback Cove, P.O. Box 1088  
Travelers Rest, South Carolina 29690  
Phone: 800.891.4808 Fax: 800.868.0084  
equip.tsbrass.com

| ITEM NO. | SALES NO.  | DESCRIPTION                                   |
|----------|------------|---|
| 1        | 015425-45  | Vandal Resistant Key                          |
| 2        | B-0199-06  | VR 2.2 GPM Aerator, 55/64-27 UN Female w/ Key |
| 3        | 017421-45  | Serrated Lock Washer                          |
| 4        | 5EF-0003   | 24" Sensor Cable                              |
| 5        | 015345-20  | 3/8-18 NPSM Low Profile Elbow                 |
| 6        | 016325-45  | Inlet Hose, Faucet, 1/2" NPSM-F x 3/8" NPSM-F |
| 7        | 5EF-0001   | equip Sensor Faucet - Control Module          |
| 8        | 5EF-0002   | equip AC Transformer, 100-240 VAC             |
| 9        | 5EF-0005   | Supply Hose, 3/8" Compression x 1/2" NPSM     |
| 10       | 5EF-0006   | Mechanical Mixing Valve                       |
| 11       | 5EF-FILTER | Replacement Filter                            |



Model Number

**5EF-1D-WG**

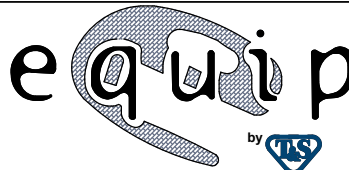
Product Specifications:

Electronic Faucet: Wall Mount Swivel Gooseneck, 2.2 GPM VR Aerator, AC-DC Control Module, Temperature Control Mixing Valve, Check Valves & (2) 18" Flexible Supply Hoses

Product Compliance:

ASME A112.18.1 / CSA B125.1  
NSF 61 - Section 9  
NSF 372 (Low Lead Content)  
ANSI A117.1 (ADA)  
UL 1951

equip  
Foodservice  
Accessories



2 Saddleback Cove, P.O. Box 1088  
Travelers Rest, South Carolina 29690  
Phone: 800.891.4808 Fax: 800.868.0084  
equip.tsbrass.com