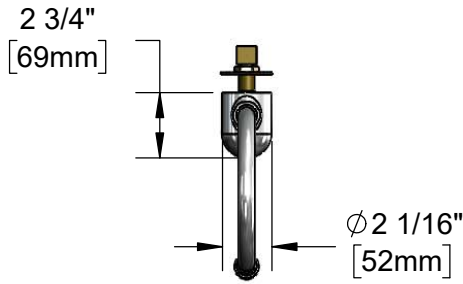


This Space for Architect/Engineer Approval

Job Name \_\_\_\_\_ Date \_\_\_\_\_  
 Model Specified \_\_\_\_\_ Quantity \_\_\_\_\_  
 Customer/Wholesaler \_\_\_\_\_  
 Contractor \_\_\_\_\_  
 Architect/Engineer \_\_\_\_\_



**ADA Compliant**

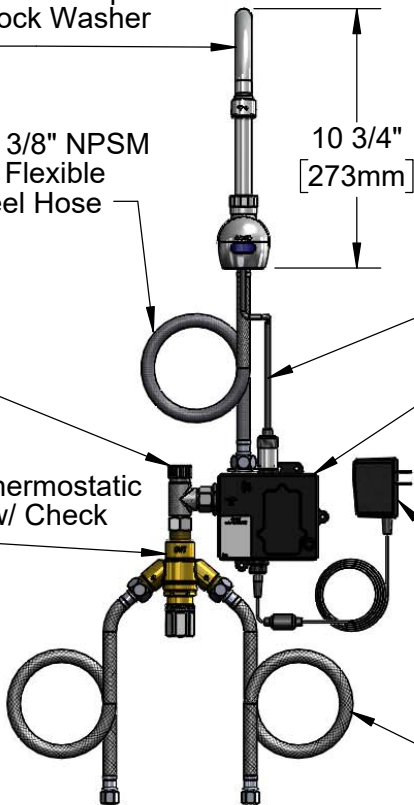


Swivel Gooseneck w/  
 2.2 GPM [8.3 LPM]  
 Vandal Resistant Aerator.  
 Rigid Conversion Requires  
 017421-45 Lock Washer  
 (Included)

1/2" NPSM x 3/8" NPSM  
 30" [762mm] Flexible  
 Stainless Steel Hose

Removable  
 Strainer

ASSE 1070 Thermostatic  
 Mixing Valve w/ Check  
 Valves

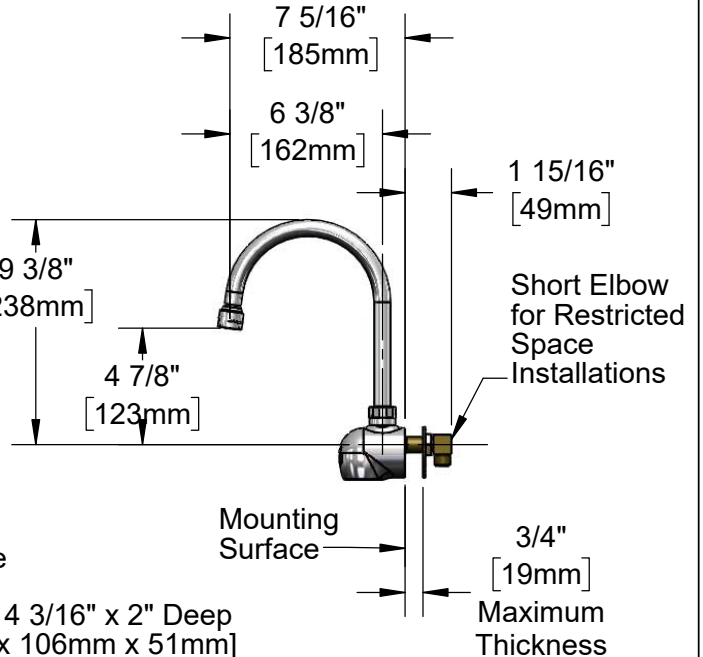


24" [610mm]  
 Sensor Cable

3 5/8" x 4 3/16" x 2" Deep  
 [92mm x 106mm x 51mm]  
 Water Resistant Control Module  
 Box (Black). AC or DC Operated  
 w/ (4) AA Batteries

100-240 VAC Adapter  
 w/ 71" [1800mm] Power  
 Cord. (Remove Rubber  
 Plugs on Module and  
 Cable to Connect)

(2) 3/8" Compression x 1/2" NPSM  
 18" [457mm] Flexible Stainless Steel  
 Supply Hose



Short Elbow  
 for Restricted  
 Space  
 Installations

Mounting  
 Surface

3/4"  
 [19mm]  
 Maximum  
 Thickness

Rough-In Requirement:  
 Ø 1 1/8" [29mm] Mounting Hole

Model Number

**5EF-1D-WG-TMV**

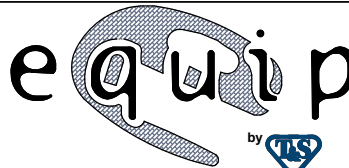
Product Specifications:

Electronic Faucet: Wall Mount Swivel Gooseneck w/ VR Aerator,  
 AC-DC Control Module, Thermostatic Temperature Control Mixing  
 Valve w/ Integral Check Valves & 18" Long Flexible Supply Stop Hoses

Product Compliance:

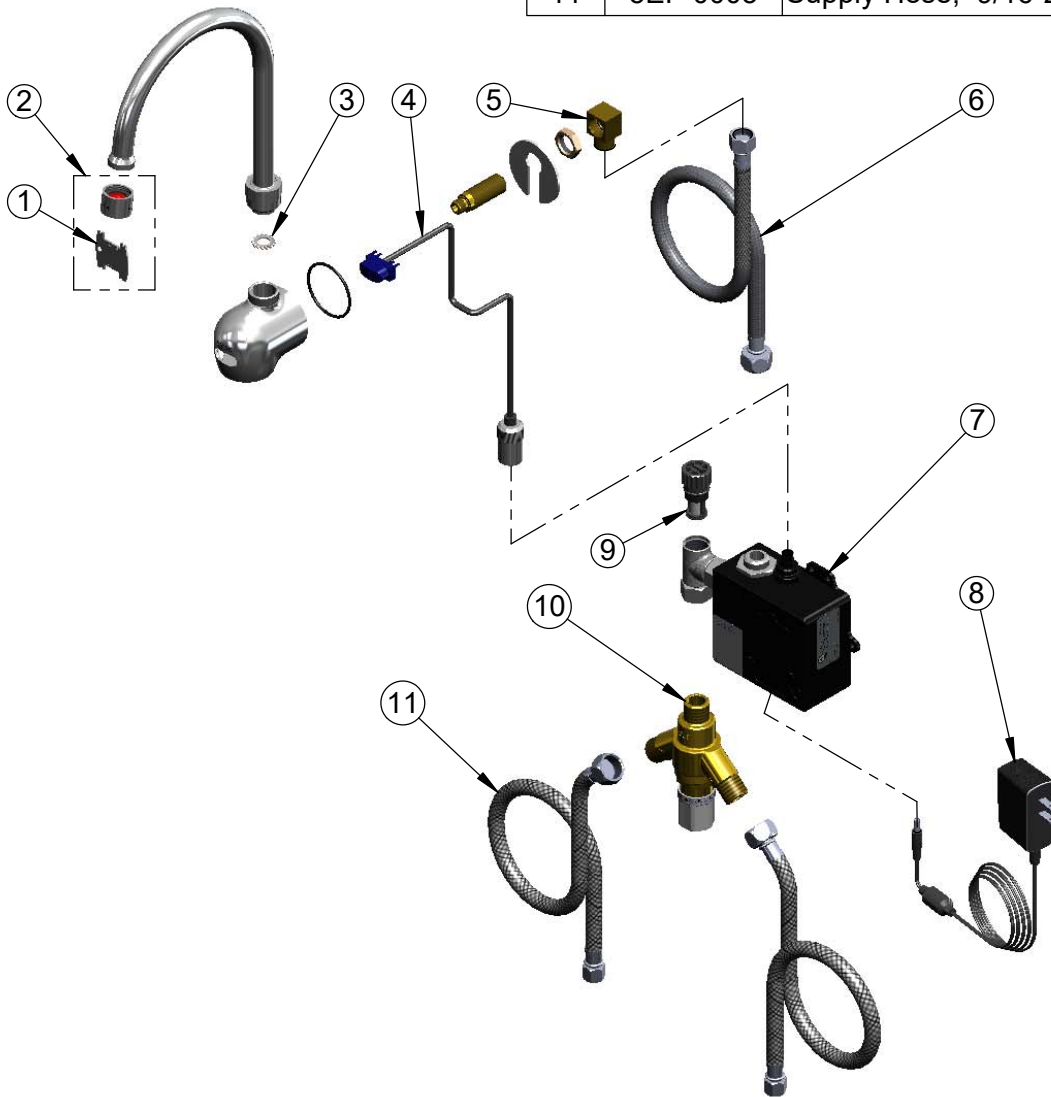
ASME A112.18.1 / CSA B125.1  
 NSF 61 - Section 9  
 NSF 372 (Low Lead Content)  
 ANSI A117.1 (ADA)  
 UL 1951  
 ASSE 1070 (TMV)

equip  
 Foodservice  
 Accessories



2 Saddleback Cove, P.O. Box 1088  
 Travelers Rest, South Carolina 29690  
 Phone: 800.891.4808 Fax: 800.868.0084  
 equip.tsbrass.com

ITEM NO.	SALES NO.	DESCRIPTION
1	015425-45	Vandal Resistant Key
2	B-0199-06	VR 2.2 GPM Aerator, 55/64-27 UN Female w/ Key
3	017421-45	Serrated Lock Washer
4	5EF-0003	24" Sensor Cable
5	015345-20	3/8-18 NPSM Low Profile Elbow
6	016325-45	Inlet Hose, Faucet, 1/2" NPSM-F x 3/8" NPSM-F
7	5EF-0001	equip Sensor Faucet Control Module
8	5EF-0002	equip AC Transformer, 100-240 VAC
9	5EF-FILTER	Replacement Filter
10	5EF-TMV	ASSE 1070 Thermostatic Mixing Valve
11	5EF-0005	Supply Hose, 9/16-24 Female x 1/2" NPSM



Model Number

**5EF-1D-WG-TMV**

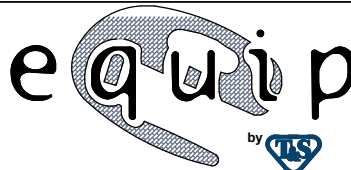
Product Specifications:

Electronic Faucet: Wall Mount Swivel Gooseneck w/ VR Aerator, AC-DC Control Module, Thermostatic Temperature Control Mixing Valve w/ Integral Check Valves & 18" Long Flexible Supply Stop Hoses

Product Compliance:

ASME A112.18.1 / CSA B125.1  
 NSF 61 - Section 9  
 NSF 372 (Low Lead Content)  
 ANSI A117.1 (ADA)  
 UL 1951  
 ASSE 1070 (TMV)

equip  
 Foodservice  
 Accessories



2 Saddleback Cove, P.O. Box 1088  
 Travelers Rest, South Carolina 29690  
 Phone: 800.891.4808 Fax: 800.868.0084  
 equip.tsbrass.com