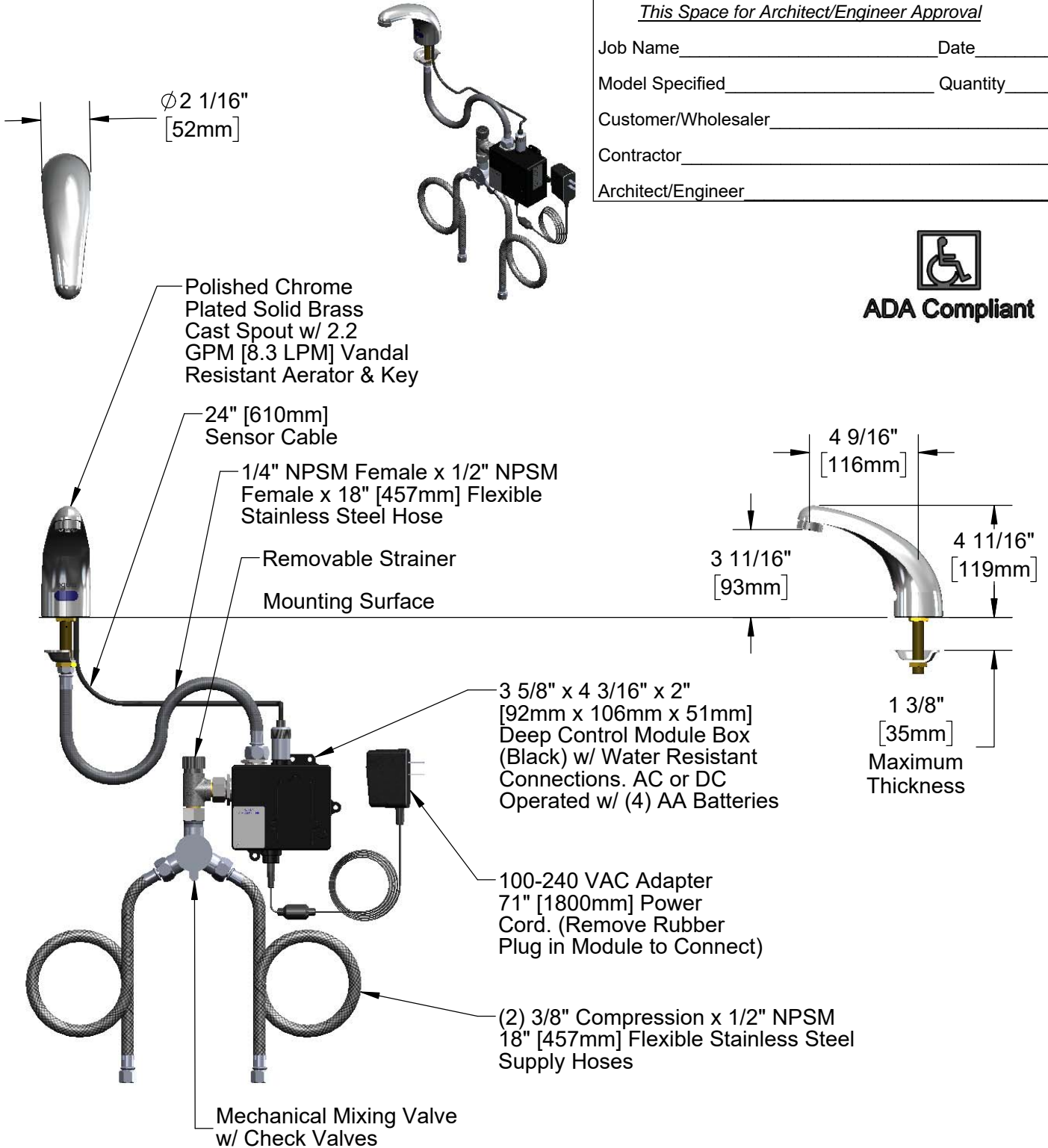


*This Space for Architect/Engineer Approval*

Job Name \_\_\_\_\_ Date \_\_\_\_\_  
 Model Specified \_\_\_\_\_ Quantity \_\_\_\_\_  
 Customer/Wholesaler \_\_\_\_\_  
 Contractor \_\_\_\_\_  
 Architect/Engineer \_\_\_\_\_



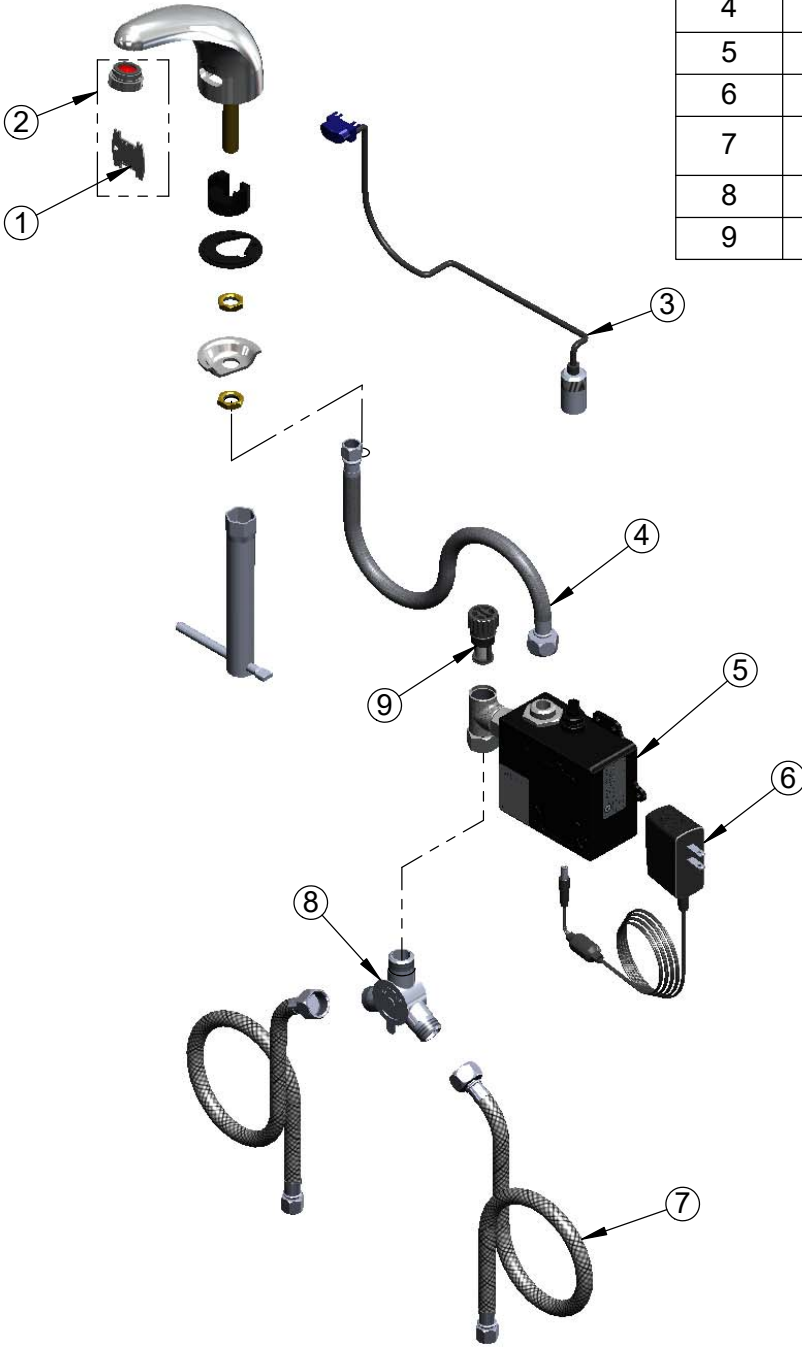
**ADA Compliant**



Rough-In Requirement:  
 $\varnothing 1 \frac{1}{4}"$  [32mm] Mounting Hole

Model Number <p style="text-align: center;"><b>5EF-1D-DS</b></p>	Product Specifications: <p style="text-align: center;"><b>Electronic Faucet: Single Hole Deck Mount Cast Spout Faucet, AC-DC Control Module, Temperature Control Mixing Valve, Check Valves &amp; (2) 18" Flexible Supply Hoses</b></p>
Product Compliance: ASME A112.18.1 / CSA B125.1 NSF 61 - Section 9 NSF 372 (Low Lead Content) ANSI A117.1 (ADA) UL 1951	<div style="display: flex; justify-content: space-between; align-items: center;"> <div data-bbox="600 1906 738 1980"> <p>equip Foodservice Accessories</p> </div> <div data-bbox="743 1858 1096 2026"> </div> <div data-bbox="1101 1894 1567 1995"> <p>2 Saddleback Cove, P.O. Box 1088            Travelers Rest, South Carolina 29690            Phone: 800.891.4808 Fax: 800.868.0084            equip.tsbrass.com</p> </div> </div>

ITEM NO.	SALES NO.	DESCRIPTION
1	015425-45	Vandal Resistant Key
2	B-0199-09	VR 2.2 GPM Aerator, 15/16-27 Male w/ Key
3	5EF-0003	24" Sensor Cable
4	016297-45	Inlet Hose, Faucet, 1/2" NPSM-F x 1/4" NPSM-F
5	5EF-0001	equip Sensor Faucet - Control Module
6	5EF-0002	equip AC Transformer, 100-240 VAC
7	5EF-0005	Supply Hose, 9/16-24UN Female x 1/2" NPSM
8	5EF-0006	Mechanical Mixing Valve
9	EC-FILTER	Replacement Filter



Model Number

**5EF-1D-DS**

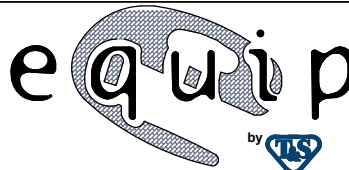
Product Specifications:

Electronic Faucet: Single Hole Deck Mount Cast Spout Faucet, AC-DC Control Module, Temperature Control Mixing Valve, Check Valves & (2) 18" Flexible Supply Hoses

Product Compliance:

ASME A112.18.1 / CSA B125.1  
NSF 61 - Section 9  
NSF 372 (Low Lead Content)  
ANSI A117.1 (ADA)  
UL 1951

equip  
Foodservice  
Accessories



2 Saddleback Cove, P.O. Box 1088  
Travelers Rest, South Carolina 29690  
Phone: 800.891.4808 Fax: 800.868.0084  
equip.tsbrass.com