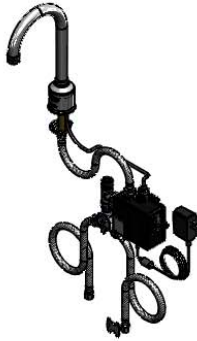
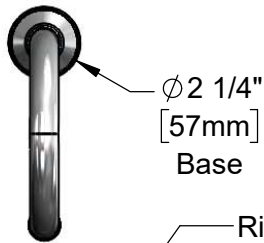




ADA Compliant



This Space for Architect/Engineer Approval

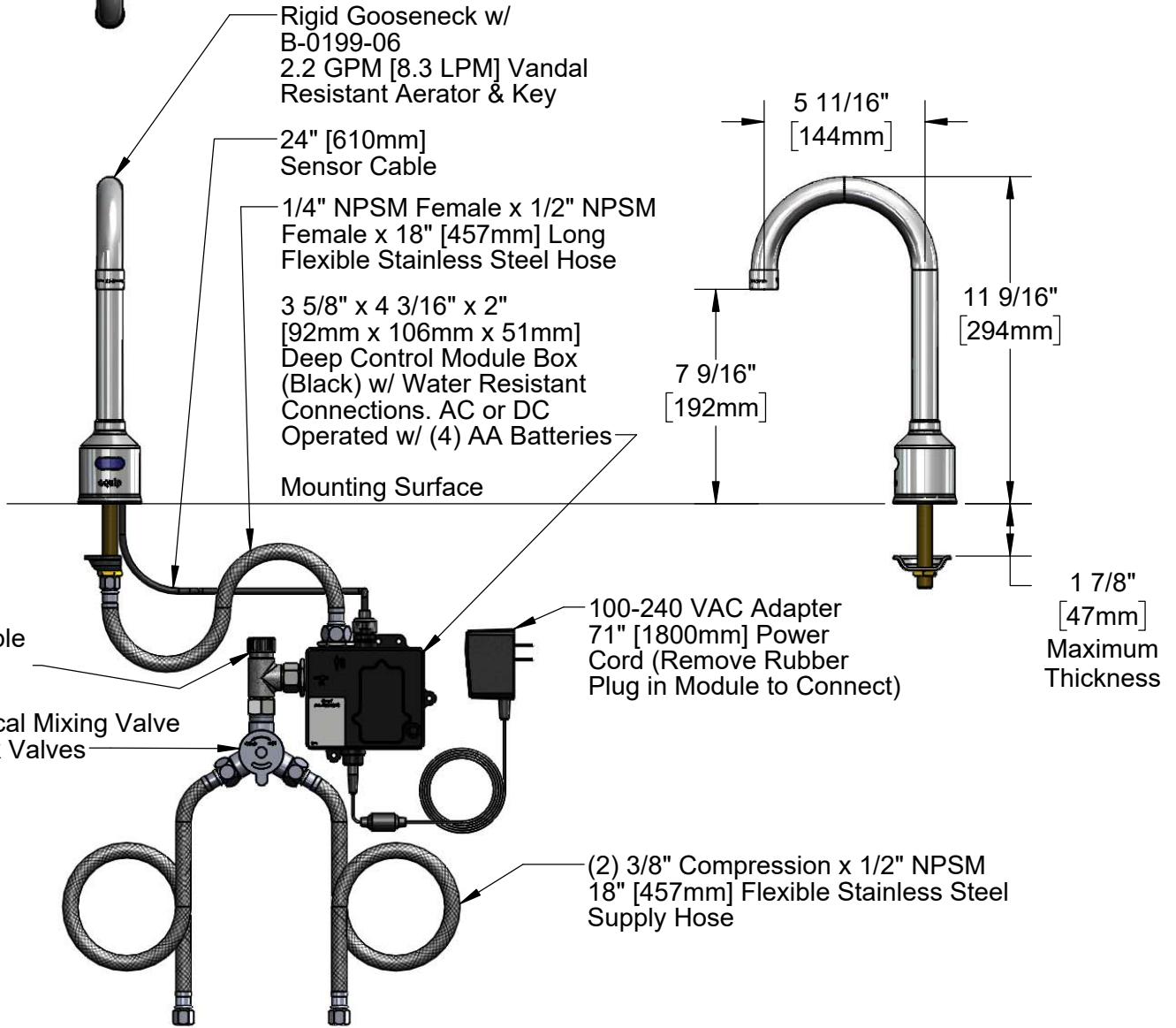
Job Name _____ Date _____

Model Specified _____ Quantity _____

Customer/Wholesaler _____

Contractor _____

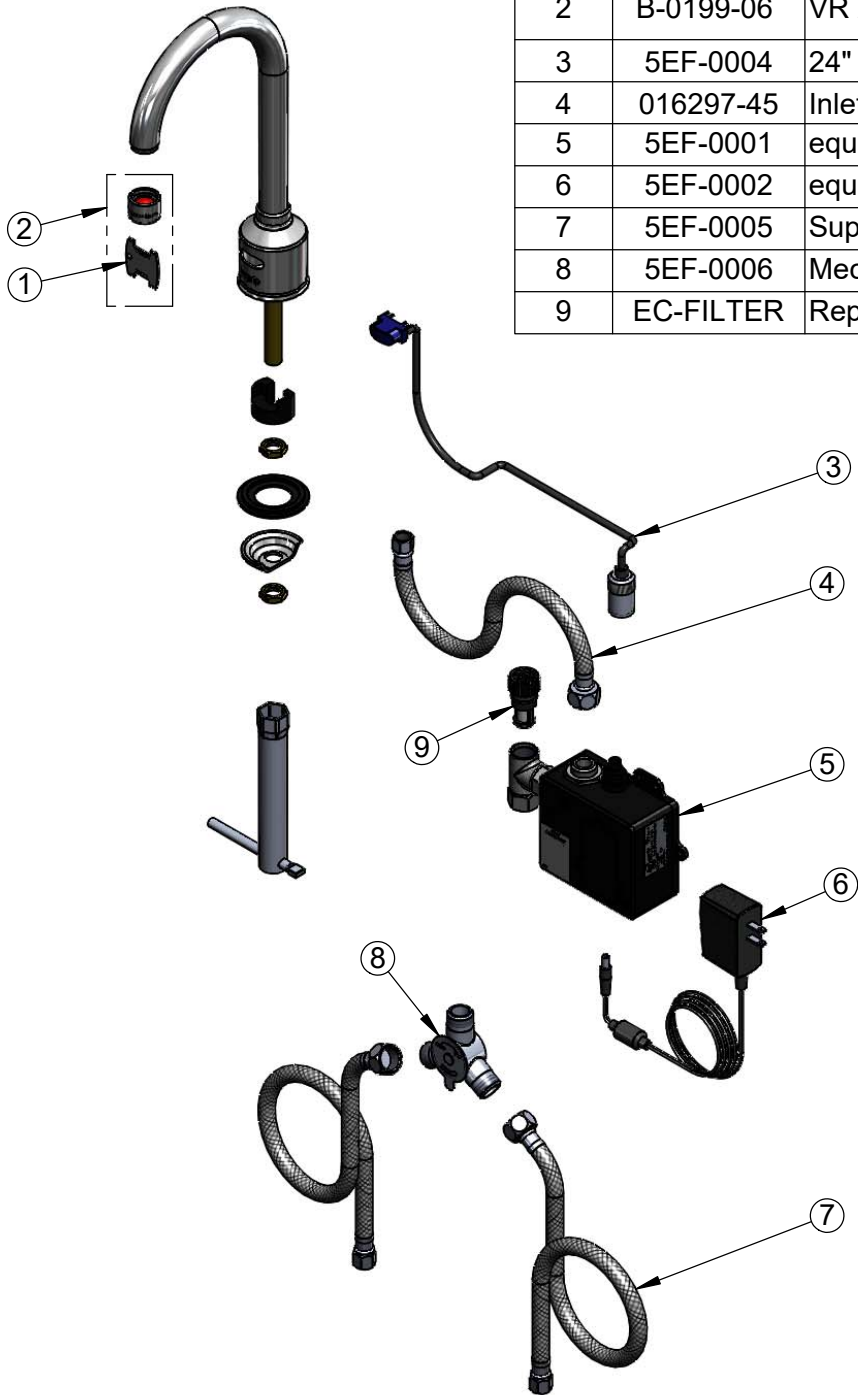
Architect/Engineer _____



Rough-In Requirement:
Ø 1" [25mm] Mounting Hole

| | |
|--|---|
| Model Number <h2 style="text-align: center;">5EF-1D-DG</h2> | Product Specifications: <p style="text-align: center;">Electronic Faucet: Deck Mount, Rigid Gooseneck, 2.2 GPM VR Aerator, AC-DC Control Module, Temperature Control Mixing Valve, Check Valves & (2) 18" Flexible Supply Hoses</p> |
| Product Compliance: ASME A112.18.1 / CSA B125.1 NSF 61 - Section 9 NSF 372 (Low Lead Content) ANSI A117.1 (ADA) UL 1951 | <div style="display: flex; justify-content: space-between; align-items: center;"> <div data-bbox="609 1900 738 1984"> <p>equip Foodservice Accessories</p> </div> <div data-bbox="747 1858 1096 2026"> </div> <div data-bbox="1104 1890 1550 2005"> <p>2 Saddleback Cove, P.O. Box 1088 Travelers Rest, South Carolina 29690 Phone: 800.891.4808 Fax: 800.868.0084 equip.tsbrass.com</p> </div> </div> |

| ITEM NO. | SALES NO. | DESCRIPTION |
|----------|-----------|---|
| 1 | 015425-45 | Vandal Resistant Key |
| 2 | B-0199-06 | VR 2.2 GPM Aerator w/ Key |
| 3 | 5EF-0004 | 24" Sensor Cable |
| 4 | 016297-45 | Inlet Hose, Faucet, 1/2" NPSM-F x 1/4" NPSM-F |
| 5 | 5EF-0001 | equip Sensor Faucet - Control Module |
| 6 | 5EF-0002 | equip AC Transformer, 100-240 VAC |
| 7 | 5EF-0005 | Supply Hose, 9/16-24 Female x 1/2" NPSM |
| 8 | 5EF-0006 | Mechanical Mixing Valve |
| 9 | EC-FILTER | Replacement Filter |



Model Number
5EF-1D-DG

Product Compliance:
ASME A112.18.1 / CSA B125.1
NSF 61 - Section 9
NSF 372 (Low Lead Content)
ANSI A117.1 (ADA)
UL 1951

Product Specifications:
Electronic Faucet: Deck Mount, Rigid Gooseneck, 2.2 GPM VR Aerator, AC-DC Control Module, Temperature Control Mixing Valve, Check Valves & (2) 18" Flexible Supply Hoses

equip
Foodservice
Accessories



2 Saddleback Cove, P.O. Box 1088
Travelers Rest, South Carolina 29690
Phone: 800.891.4808 Fax: 800.868.0084
equip.tsbrass.com