

This Space for Architect/Engineer Approval

Job Name _____ Date _____

Model Specified _____ Quantity _____

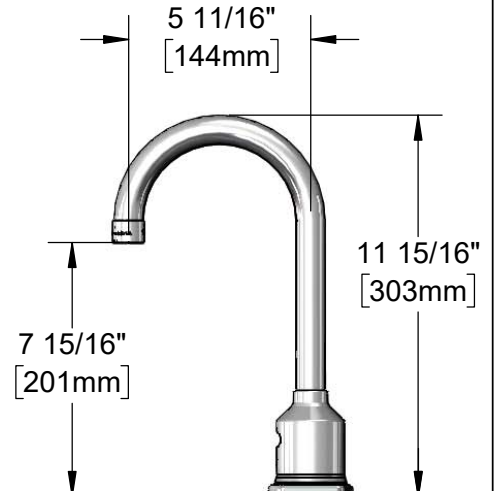
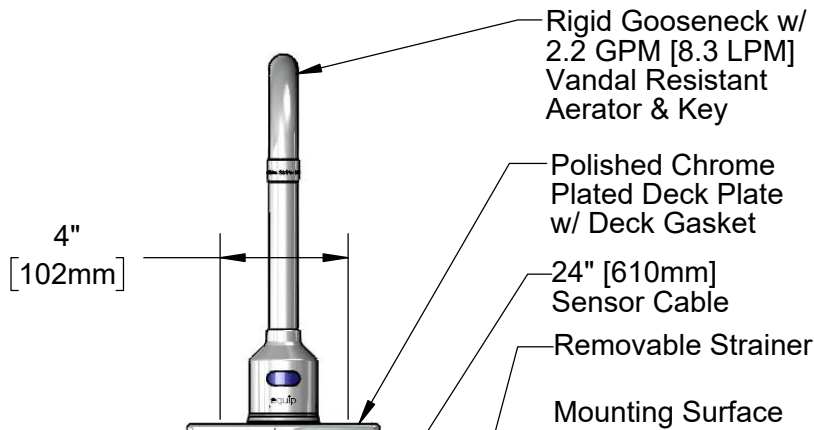
Customer/Wholesaler _____

Contractor _____

Architect/Engineer _____



ADA Compliant



1/2" NPSM x 1/4" NPSM
18" [457mm] Flexible
Stainless Steel Hose

Mechanical Mixing Valve
w/ Integral Check Valves

Rough-In Requirement:
Ø 1" [25mm] Center Hole
(2) Ø 1 1/8" [28mm] Side Holes

3 5/8" x 4 3/16" x 2" Deep
[92mm x 106mm x 51mm]
Control Module Box (Black)
w/ Water Resistant Connections.
AC or DC Operated w/ (4) AA
Batteries

100-240 VAC Adapter
71" [1800mm] Power
Cord. (Remove Rubber
Plug on Module and Cable
to Connect)

(2) 3/8" Compression x 1/2" NPSM
18" [457mm] Flexible Stainless Steel
Supply Hose

1 1/2"
[38mm]
Maximum
Thickness

Model Number

5EF-1D-DG-4DP

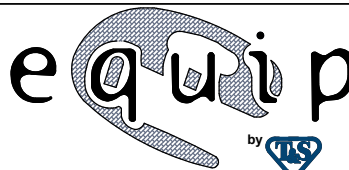
Product Specifications:

Electronic Deck Mount Faucet, Rigid Gooseneck w/ VR 2.2 GPM Aerator, Temp. Control Mixing Valve w/ Check Valves, 4" c/c Deck Plate, (2) 18" Flexible Supply Hoses & AC-DC Control Module

Product Compliance:

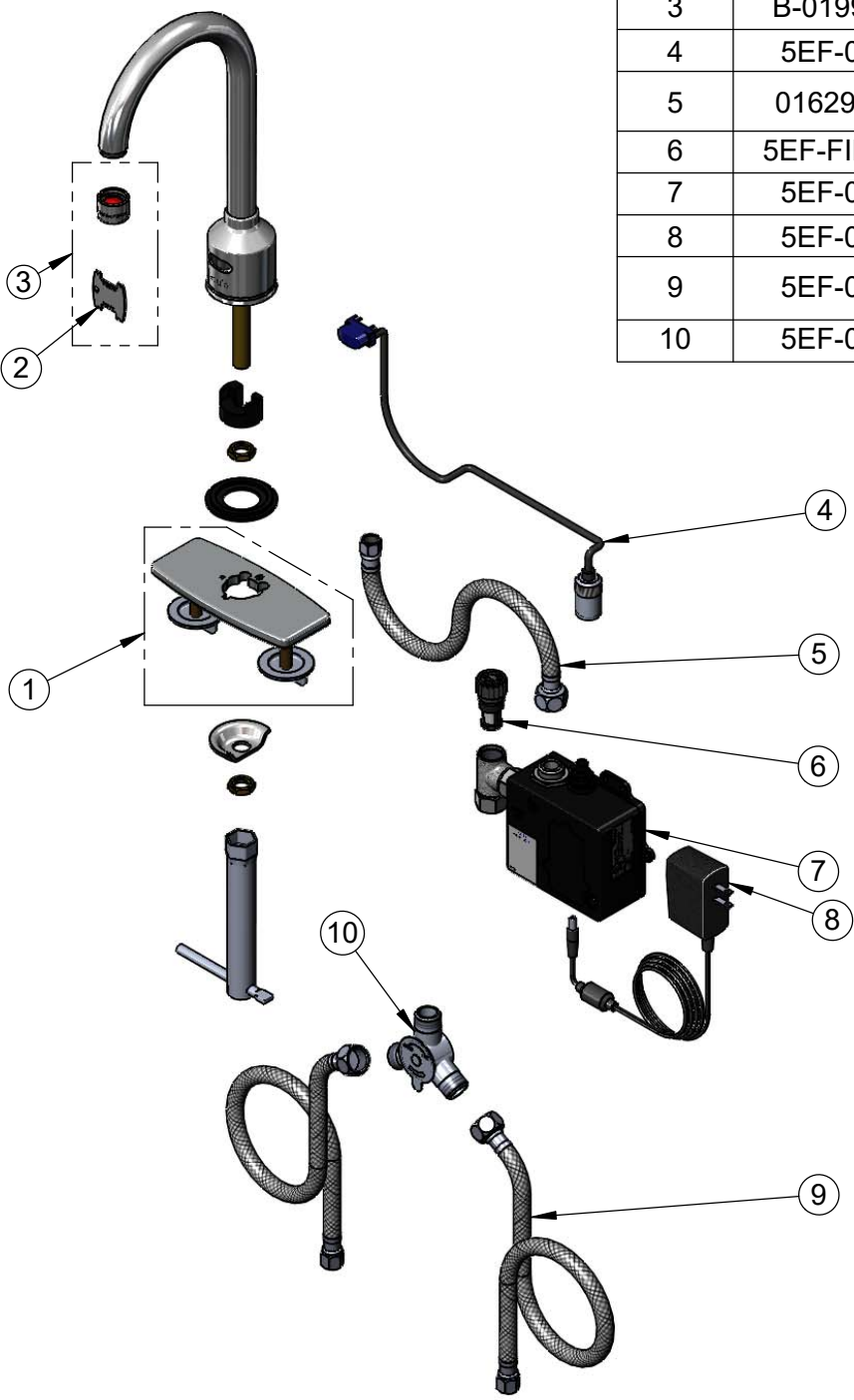
ASME A112.18.1 / CSA B125.1
NSF 61 - Section 9
NSF 372 (Low Lead Content)
ANSI A117.1 (ADA)
UL 1951

equip
Foodservice
Accessories



2 Saddleback Cove, P.O. Box 1088
Travelers Rest, South Carolina 29690
Phone: 800.891.4808 Fax: 800.868.0084
equip.tsbrass.com

ITEM NO.	SALES NO.	DESCRIPTION
1	013433-40	4" Universal Deck Plate, Gasket & Mounting Hardware
2	015425-45	Vandal Resistant Key
3	B-0199-06	VR 2.2 GPM Aerator w/ Key
4	5EF-0004	24" Sensor Cable
5	016297-45	Inlet Hose, Faucet, 1/2" NPSM-F x 1/4" NPSM-F
6	5EF-FILTER	Replacement Filter
7	5EF-0001	Equip Sensor Faucet Control Module
8	5EF-0002	AC Transformer, 100-240 VAC
9	5EF-0005	Supply Hose, 9/16-24 Female x 1/2" NPSM
10	5EF-0006	Mechanical Mixing Valve



Model Number
5EF-1D-DG-4DP

Product Compliance:
ASME A112.18.1 / CSA B125.1
NSF 61 - Section 9
NSF 372 (Low Lead Content)
ANSI A117.1 (ADA)
UL 1951

Product Specifications:
Electronic Deck Mount Faucet, Rigid Gooseneck w/ VR 2.2 GPM Aerator, Temp. Control Mixing Valve w/ Check Valves, 4" c/c Deck Plate, (2) 18" Flexible Supply Hoses & AC-DC Control Module

equip
Foodservice
Accessories



2 Saddleback Cove, P.O. Box 1088
Travelers Rest, South Carolina 29690
Phone: 800.891.4808 Fax: 800.868.0084
equip.tsbrass.com