



T&S BRASS AND BRONZE WORKS, INC.
 2 Saddleback Cove / P.O. Box 1088
 Travelers Rest, SC 29690

Model No.
255L-Fxx Series

Item No.

Travelers Rest, SC: 800-476-4103 • Simi Valley, CA: 800-423-0150 • Fax: 864-834-3518 • www.tsbrass.com

This Space for Architect/Engineer Approval

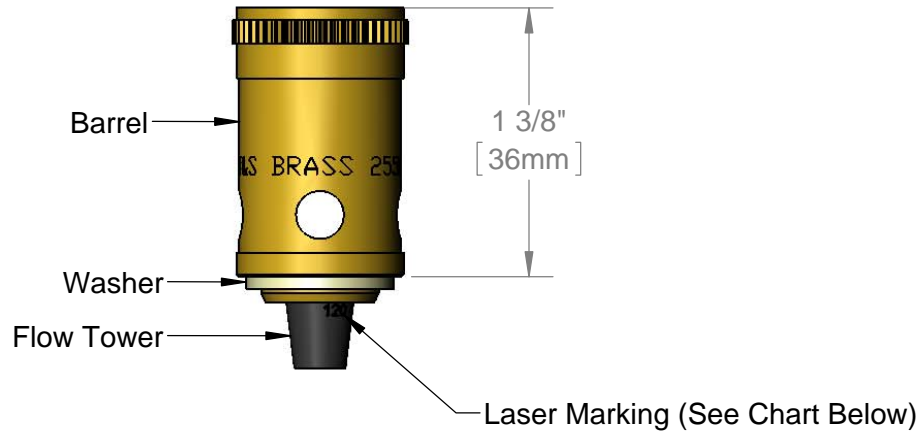
Job Name _____ Date _____

Model Specified _____ Quantity _____

Customer/Wholesaler _____

Contractor _____

Architect/Engineer _____



SALES NO.	FLOW RATE	LASER MARKING
255L-F03	.25 GPM	025
255L-F05	.4 GPM	040
255L-F07	.7 GPM	070
255L-F10	.9 GPM	090
255L-F12	1.2 GPM	120
255L-F15	1.4 GPM	140
255L-F20	2.0 GPM	200

Product Specifications:
 Vari-Flo RH Insert Series w/ Flow Control

Drawn DHL	Checked KJG	Approved JHB
Scale: 1:1		Date: 12/19/13