



T&S BRASS AND BRONZE WORKS, INC.

2 Saddleback Cove / P.O. Box 1088
Travelers Rest, SC 29690



REG. #A2601
ISO #9001

Model No.

017882-40

Item No.

Travelers Rest, SC: 800-476-4103 Simi Valley, CA: 800-423-0150 Fax: 864-834-3518 www.tsbrass.com

This Space for Architect/Engineer Approval

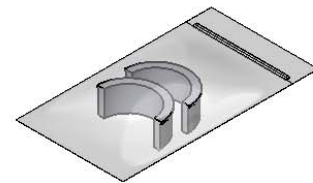
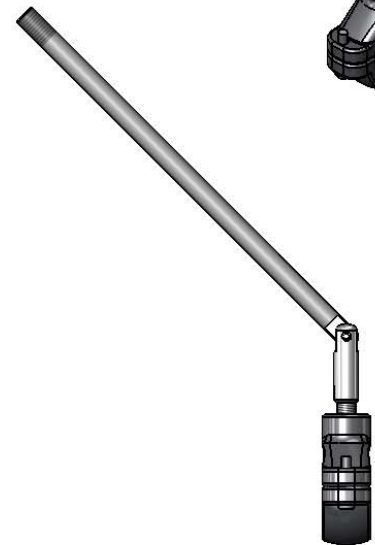
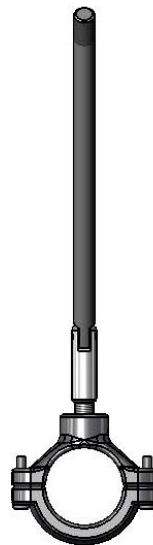
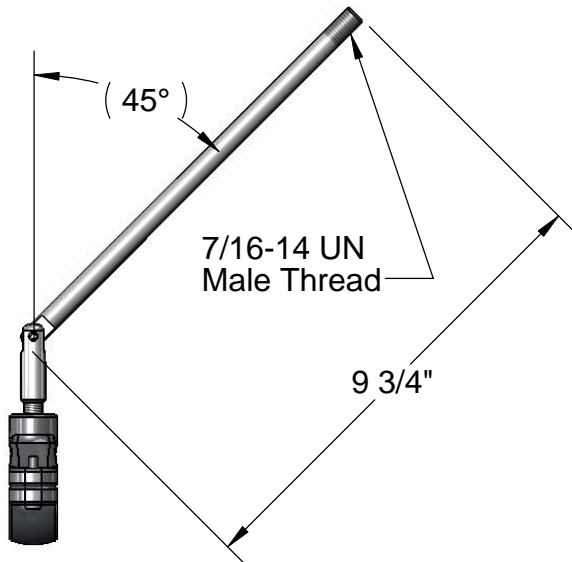
Job Name _____ Date _____

Model Specified _____ Quantity _____

Customer/Wholesaler _____

Contractor _____

Architect/Engineer _____



Furnished w/ Clamp
Split Bushing Set

Product Specifications:
**9 3/4" Clamp Support Rod Lower Assembly
w/ PVC Bushing Set**

Drawn JRM	Checked DMH	Approved JHB
Scale: 1:4		Date: 01/22/10