



T&S BRASS AND BRONZE WORKS, INC.
 2 Saddleback Cove / P.O. Box 1088
 Travelers Rest, SC 29690

Model No.
016751-40NS

Item No.

Travelers Rest, SC: 800-476-4103 • Simi Valley, CA: 800-423-0150 • Fax: 864-834-3518 • www.tsbrass.com

This Space for Architect/Engineer Approval

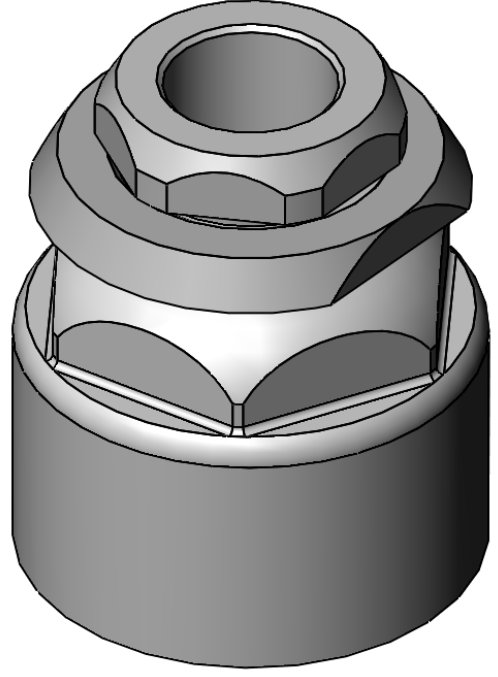
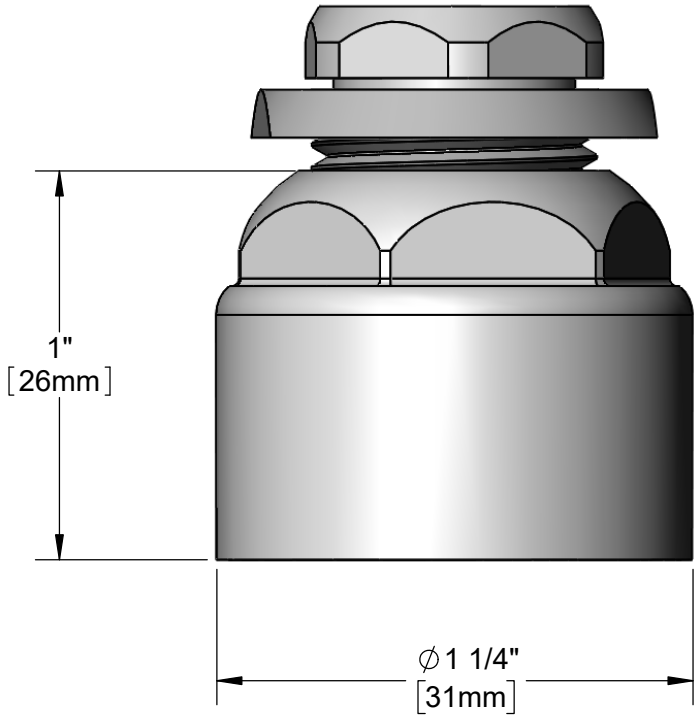
Job Name _____ Date _____

Model Specified _____ Quantity _____

Customer/Wholesaler _____

Contractor _____

Architect/Engineer _____



Product Specifications:
 EasyInstall Concealed Widespread New Style Bonnet Assembly

Product Compliance:
 NSF 61 - Section 9
 NSF 372 (Low Lead Content)



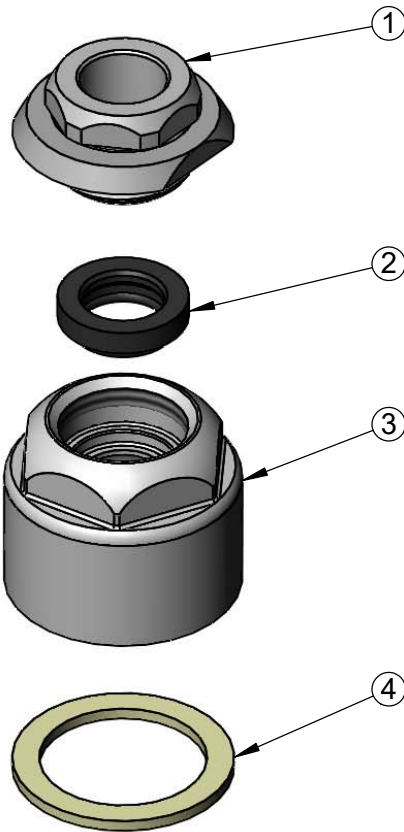
T&S BRASS AND BRONZE WORKS, INC.
2 Saddleback Cove / P.O. Box 1088
Travelers Rest, SC 29690

Model No.
016751-40NS

Item No.

Travelers Rest, SC: 800-476-4103 • Simi Valley, CA: 800-423-0150 • Fax: 864-834-3518 • www.tsbrass.com

ITEM NO.	SALES NO.	DESCRIPTION
1	009002-40NS	CWS Packing & Lock Nut - New Style
2	001098-45	Seal, Eterna Bonnet Packing
3	016743-25	CWS Eterna Bonnet
4	002601-45	Washer



Product Specifications:
EasyInstall Concealed Widespread New Style Bonnet Assembly

Product Compliance:
NSF 61 - Section 9
NSF 372 (Low Lead Content)