



T&S BRASS AND BRONZE WORKS, INC.
 2 Saddleback Cove / P.O. Box 1088
 Travelers Rest, SC 29690

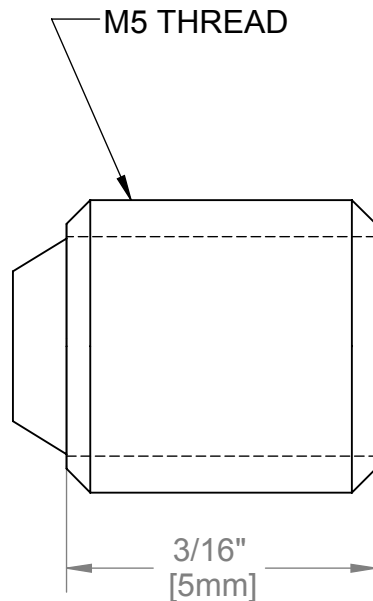


REG. #A2601
 ISO #9001

Model No.
016675-45

Item No.

Travelers Rest, SC: 800-476-4103 Simi Valley, CA: 800-423-0150 Fax: 864-834-3518 www.tsbrass.com



MATERIAL: Stainless Steel

Product Specifications:
Handle Set Screw, Single Lever Faucets
(B-2710/ B-2730/ B-2740 Series)

Drawn ARH	Checked DHL	Approved JHB
Scale: 8:1		Date: 01/03/08