



T&S BRASS AND BRONZE WORKS, INC.
 2 Saddleback Cove / P.O. Box 1088
 Travelers Rest, SC 29690

Model No.
013433-40

Item No.

Travelers Rest, SC: 800-476-4103 • Simi Valley, CA: 800-423-0150 • Fax: 864-834-3518 • www.tsbrass.com

This Space for Architect/Engineer Approval

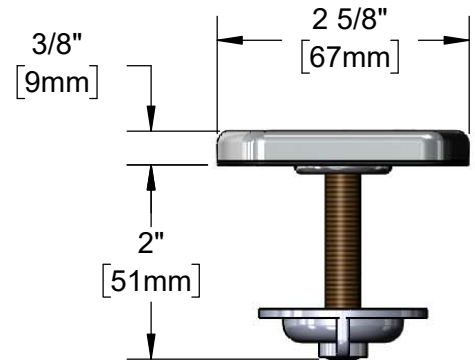
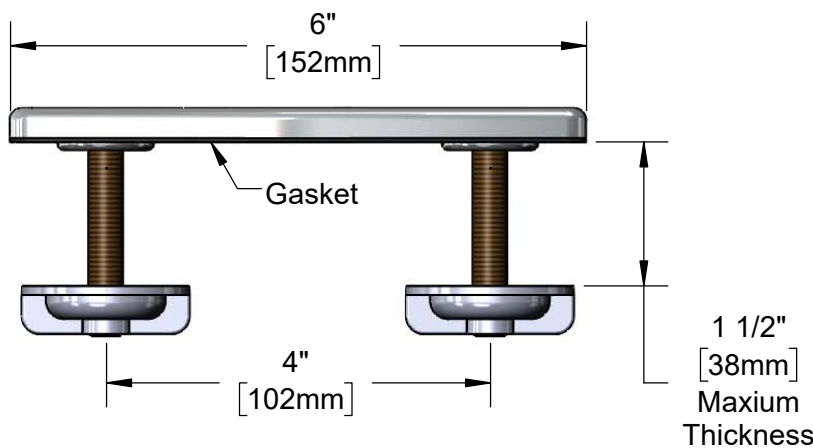
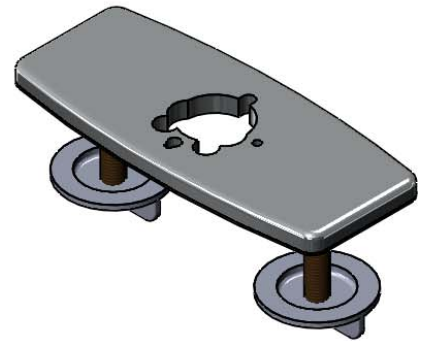
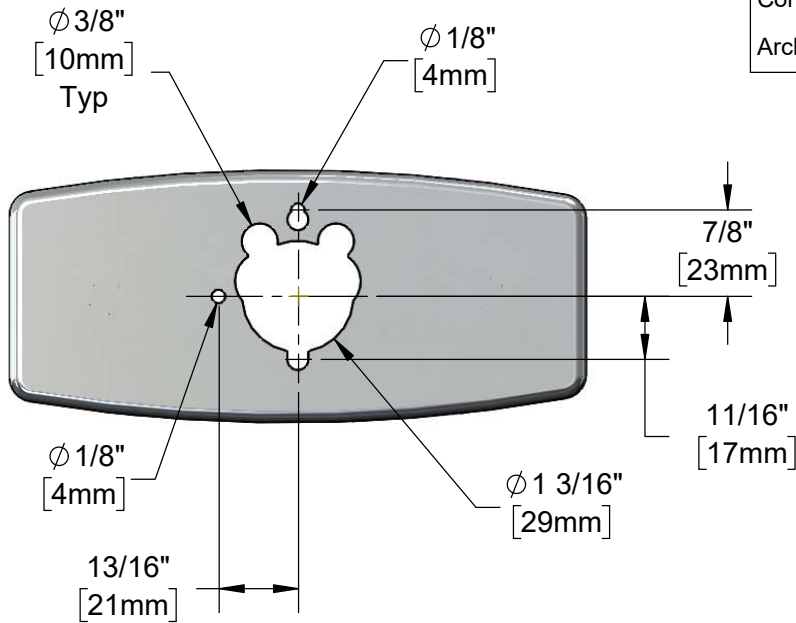
Job Name _____ Date _____

Model Specified _____ Quantity _____

Customer/Wholesaler _____

Contractor _____

Architect/Engineer _____



Rough-In Requirement:
 Ø 1" [25mm] Center Hole
 (2) Ø 1 1/8" [28mm] Mounting Holes

Note: For Installations With B-0712/B-2460 Series Faucets or Similar Models, 019369-25 Base Ring and Deck Plate Spacer is Required (Sold Separately)

Product Specifications:
 4" Forged Deck Plate - Chrome Plated Brass

Product Compliance: