



T&S BRASS AND BRONZE WORKS, INC.
 2 Saddleback Cove / P.O. Box 1088
 Travelers Rest, SC 29690

Model No.
011619-25

Item No.

Travelers Rest, SC: 800-476-4103 • Simi Valley, CA: 800-423-0150 • Fax: 864-834-3518 • www.tsbrass.com



ADA Compliant

This Space for Architect/Engineer Approval

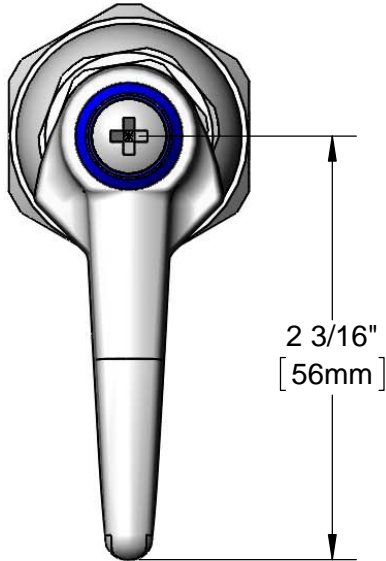
Job Name _____ Date _____

Model Specified _____ Quantity _____

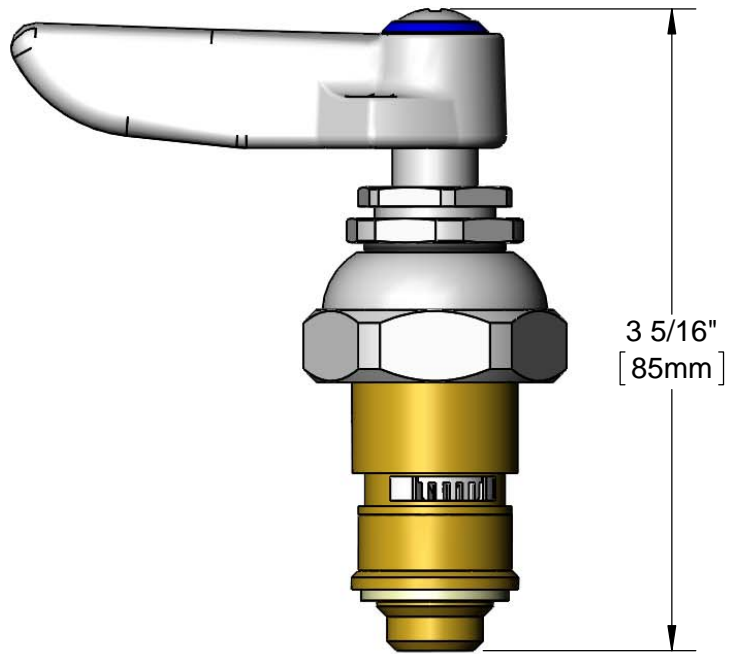
Customer/Wholesaler _____

Contractor _____

Architect/Engineer _____



Bottom Gasket



Product Specifications:
 Cerama Cartridge, LTC w/ Check Valve, Lever Handle,
 Index (Blue), Screw & Escutcheon Bonnet

Drawn
DHL

Checked
KJG

Approved
JHB

Scale:
1:1

Date:
06/05/14



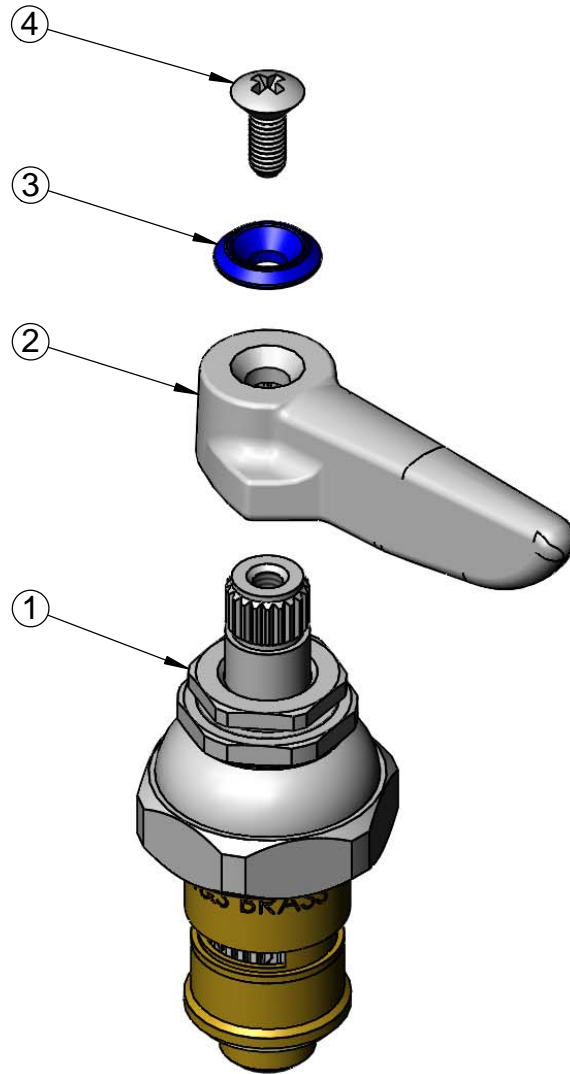
T&S BRASS AND BRONZE WORKS, INC.
 2 Saddleback Cove / P.O. Box 1088
 Travelers Rest, SC 29690

Model No.
011619-25

Item No.

Travelers Rest, SC: 800-476-4103 • Simi Valley, CA: 800-423-0150 • Fax: 864-834-3518 • www.tsbrass.com

ITEM NO.	SALES NO.	DESCRIPTION
1	011619-25	Cerama Cartridge, LTC w/ Check Valve & Escutcheon Bonnet
2	001638-45	Lever Handle
3	001660-45	Blue Index-CW
4	000922-45	Lever Handle Screw



Product Specifications:
 Cerama Cartridge, LTC w/ Check Valve, Lever Handle,
 Index (Blue), Screw & Escutcheon Bonnet

Drawn DHL	Checked KJG	Approved JHB
Scale: NTS		Date: 06/05/14