

T&S BRASS AND BRONZE WORKS, INC.
 2 SADDLEBACK COVE / P.O. BOX 1088 / TRAVELERS REST, SC 29690
 PHONE 800-476-4103 - FAX 864- 834-3518

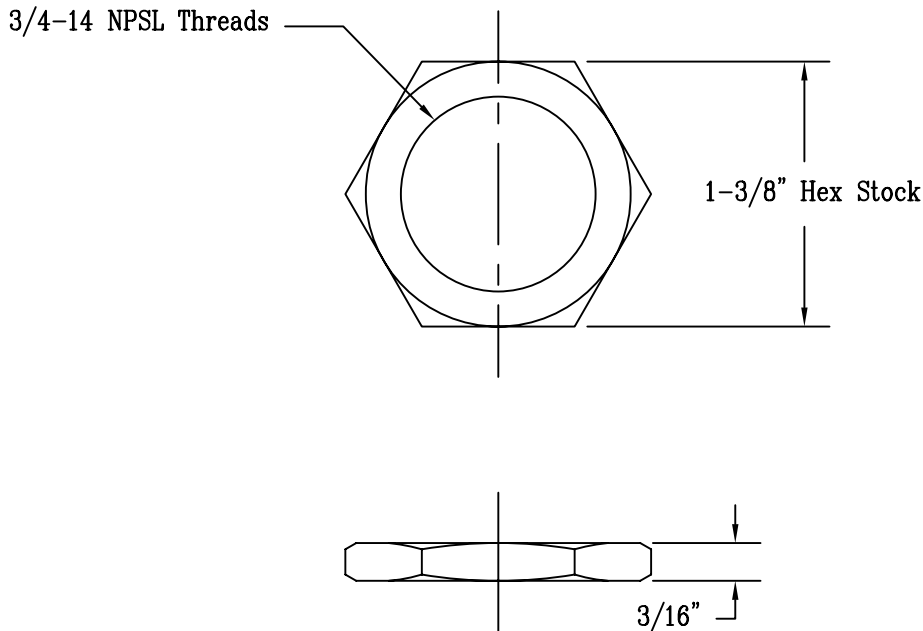


Sales No.
 009846-45
**RELIABILITY
 BUILT IN**

Job Name:

Architect/Engineer Approval:

Notes:



Material: Brass (Unplated)

Product Description:

3/4-14NPSL Hex Lock Nut (Brass)

Drawn:

DHL

Checked

MAV

Scale:

1:1

Approved

JHB

Date:

8/2/07