



T&S BRASS AND BRONZE WORKS, INC.
 2 Saddleback Cove / P.O. Box 1088
 Travelers Rest, SC 29690

Model No.
009490-40

Item No.

Travelers Rest, SC: 800-476-4103 • Simi Valley, CA: 800-423-0150 • Fax: 864-834-3518 • www.tsbrass.com

This Space for Architect/Engineer Approval

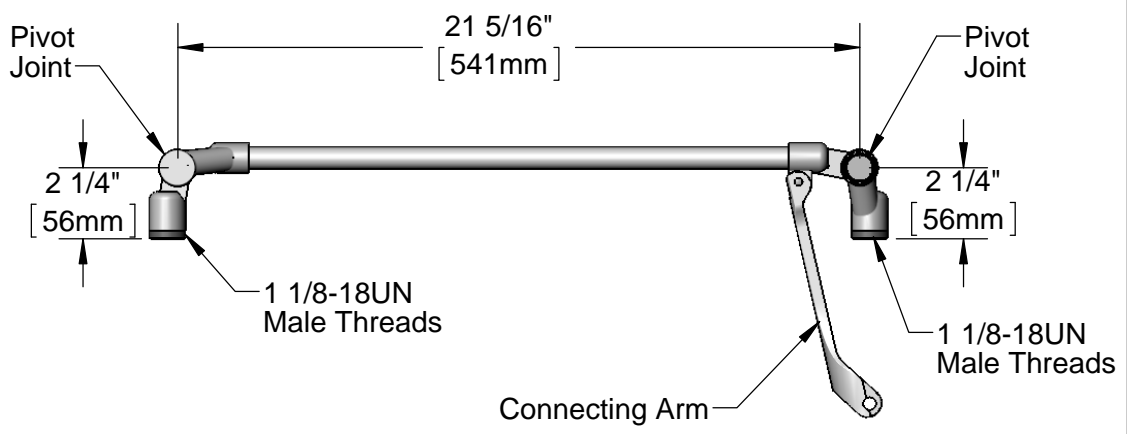
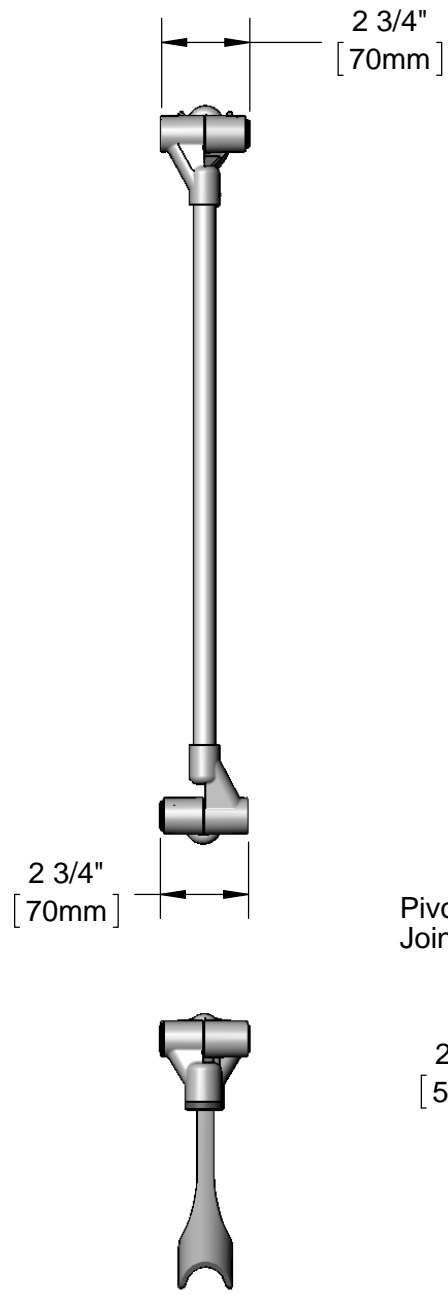
Job Name _____ Date _____

Model Specified _____ Quantity _____

Customer/Wholesaler _____

Contractor _____

Architect/Engineer _____



Product Specifications:
 B-0114 Upper Arm Assembly

Drawn KJG	Checked DMH	Approved JHB
Scale: 1:6		Date: 06/19/12



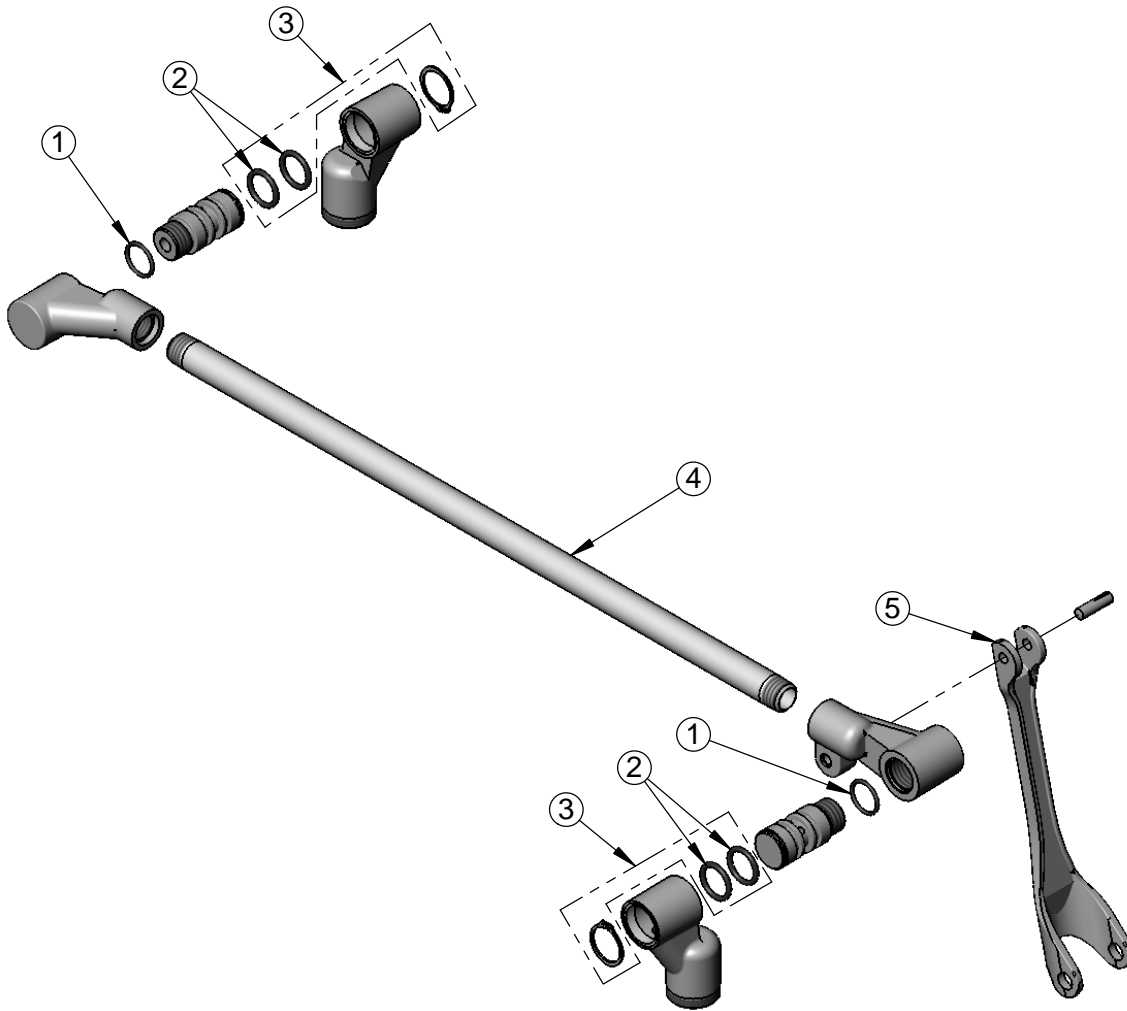
T&S BRASS AND BRONZE WORKS, INC.
 2 Saddleback Cove / P.O. Box 1088
 Travelers Rest, SC 29690

Model No.
009490-40

Item No.

Travelers Rest, SC: 800-476-4103 • Simi Valley, CA: 800-423-0150 • Fax: 864-834-3518 • www.tsbrass.com

ITEM NO.	SALES NO.	DESCRIPTION
1	001062-45	O-Ring
2	001060-45	O-Ring
3	010190-45	O-Ring Repair Kit
4	000369-40	3/8" NPT x 18" Riser
5	000075-40	Connecting Arm



Product Specifications:
 B-0114 Upper Arm Assembly

Drawn KJG	Checked DMH	Approved JHB
Scale: NTS		Date: 06/19/12