



T&S BRASS AND BRONZE WORKS, INC.
 2 SADDLEBACK COVE / P.O. BOX 1088 / TRAVELERS REST, SC 29690
 PHONE 800-476-4103 - FAX 864- 834-3518



Sales No.

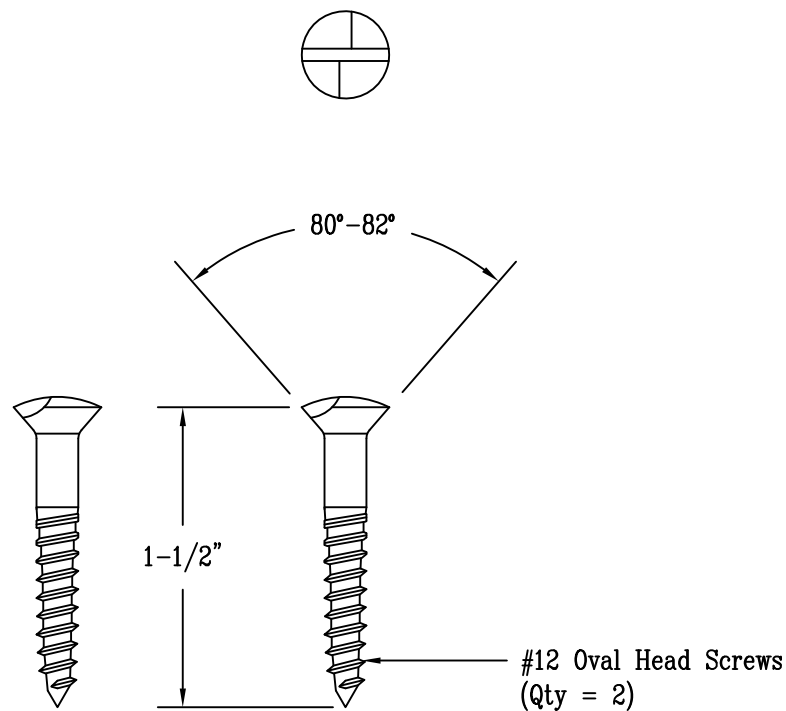
007804-45

**RELIABILITY
BUILT IN**

Job Name:

Architect/Engineer Approval:

Notes:



Product Description:

Drawn:

Checked

Scale:

(2) #12 Oval Head Vandal-Resistant Screws

DHL

KJG

1:1

Approved

Date:

JHB

04/11/12