



T&S BRASS AND BRONZE WORKS, INC.
 2 Saddleback Cove / P.O. Box 1088
 Travelers Rest, SC 29690

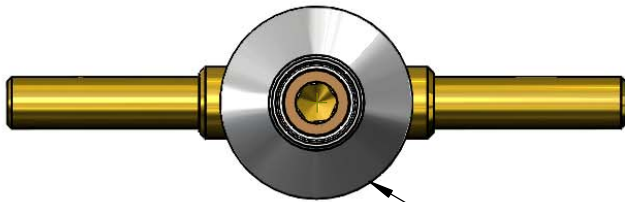
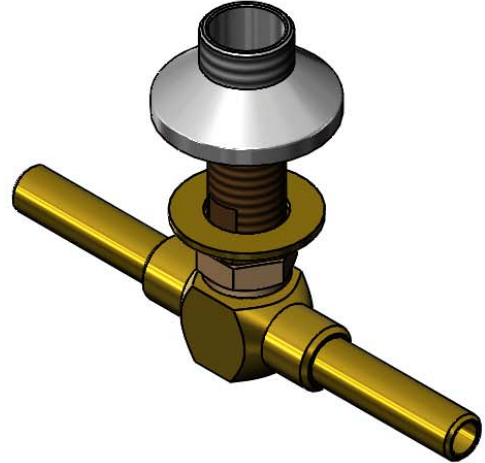
Model No.
006217-40

Item No.

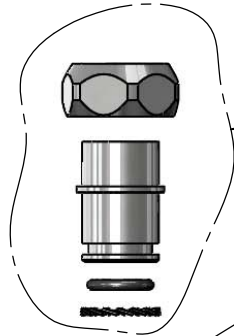
Travelers Rest, SC: 800-476-4103 • Simi Valley, CA: 800-423-0150 • Fax: 864-834-3518 • www.tsbrass.com

This Space for Architect/Engineer Approval

Job Name _____ Date _____
 Model Specified _____ Quantity _____
 Customer/Wholesaler _____
 Contractor _____
 Architect/Engineer _____



Ø2" [51mm]
 Flange



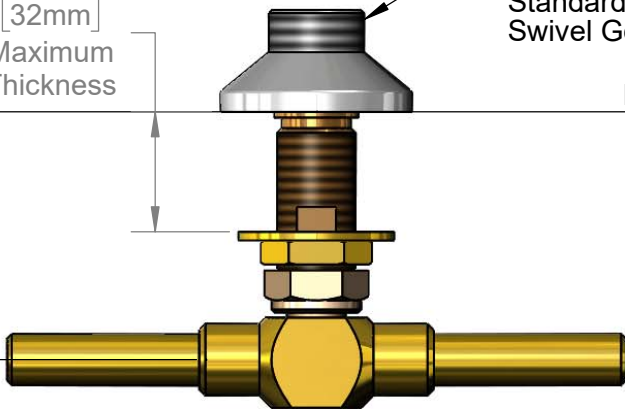
EZ-K
 EasyInstall Kit
 Coverts Rigid Risers &
 Nozzles for Use with
 Swivel Outlet (Included)

Swivel Outlet Accepts
 Standard T&S
 Swivel Goosenecks

Mounting Surface

1 1/4"
 [32mm]
 Maximum
 Thickness

2 9/16"
 [66mm]



1 1/16"
 [27mm]

3 1/16"
 [78mm]



Product Specifications:
 8" Cross Body w/ Swivel Base Flange Outlet

Product Compliance:
 NSF 61 - Section 9
 NSF 372 (Low Lead Content)



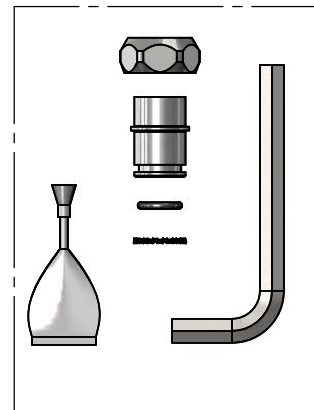
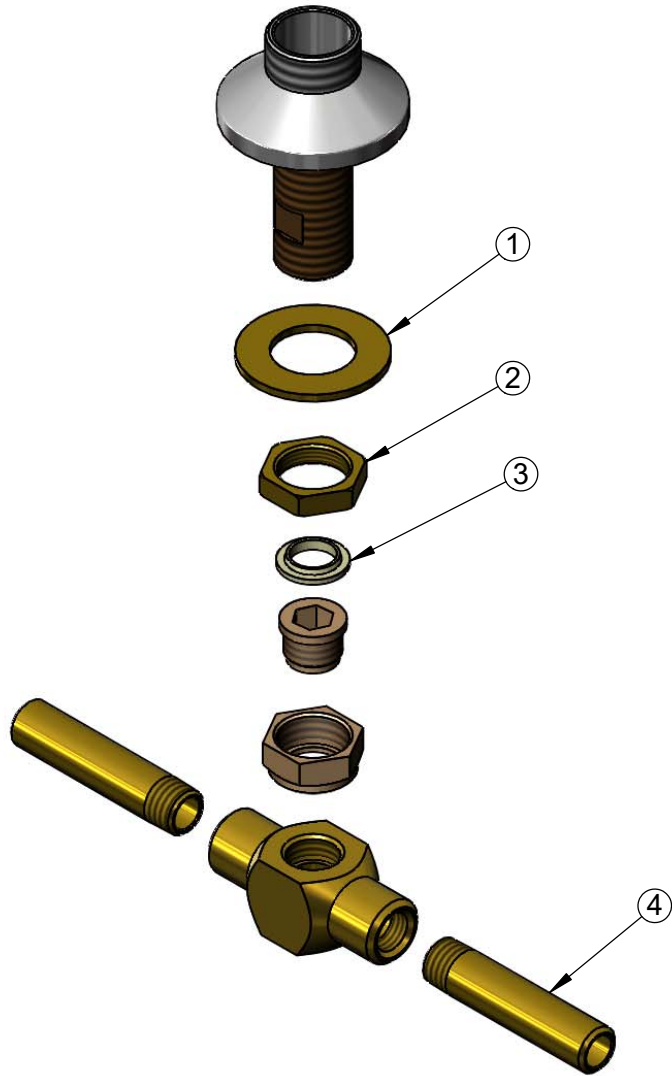
T&S BRASS AND BRONZE WORKS, INC.
 2 Saddleback Cove / P.O. Box 1088
 Travelers Rest, SC 29690

Model No.
006217-40

Item No.

Travelers Rest, SC: 800-476-4103 • Simi Valley, CA: 800-423-0150 • Fax: 864-834-3518 • www.tsbrass.com

ITEM NO.	SALES NO.	DESCRIPTION
1	000999-45	Brass Lock Washer
2	002954-45	Shank Lock Nut
3	012702-45	Cross Body Washer
4	000342-20	B-0850 Nipple



EZ-K
 Converts Rigid Outlets to EasyInstall for Use with T&S Swivel Base Faucets

Product Specifications:
 8" Cross Body w/ Swivel Base Flange Outlet

Product Compliance:
 NSF 61 - Section 9
 NSF 372 (Low Lead Content)