

**T&S BRASS AND BRONZE WORKS, INC.**  
 2 SADDLEBACK COVE / P.O. BOX 1088 / TRAVELERS REST, SC 29690  
 PHONE 800-476-4103 - FAX 864- 834-3518



Model No.

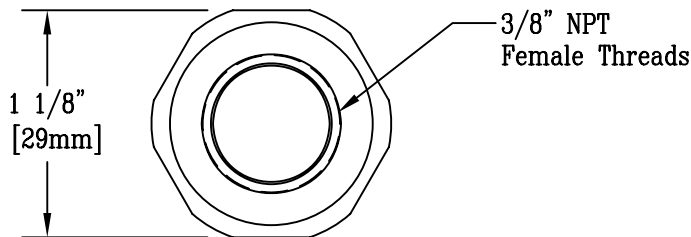
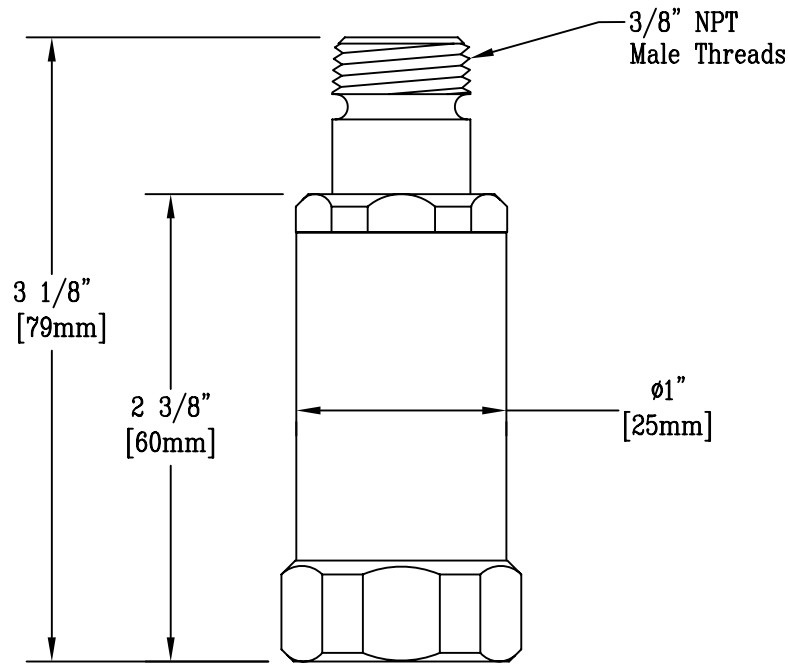
002884-40

**RELIABILITY  
BUILT IN**

Job Name:

Architect/Engineer Approval:

Notes:



Product Description:  
**Swivel Unit Assembly (Chrome Plated)**

Drawn: KJG	Checked DMH	Scale: 1 : 1
Approved JHB		Date: 02/16/10