



# T&S BRASS AND BRONZE WORKS, INC.

2 Saddleback Cove / P.O. Box 1088  
Travelers Rest, SC 29690

Model No.

**002878-40**

Item No.

Travelers Rest, SC: 800-476-4103 • Simi Valley, CA: 800-423-0150 • Fax: 864-834-3518 • www.tsbrass.com

This Space for Architect/Engineer Approval

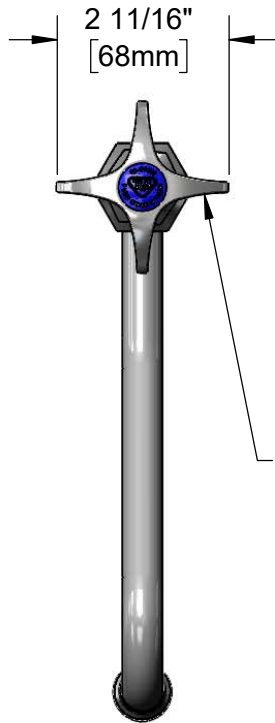
Job Name \_\_\_\_\_ Date \_\_\_\_\_

Model Specified \_\_\_\_\_ Quantity \_\_\_\_\_

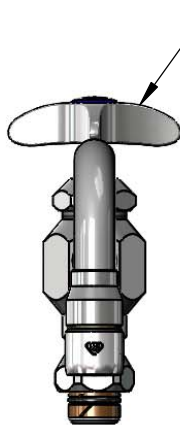
Customer/Wholesaler \_\_\_\_\_

Contractor \_\_\_\_\_

Architect/Engineer \_\_\_\_\_

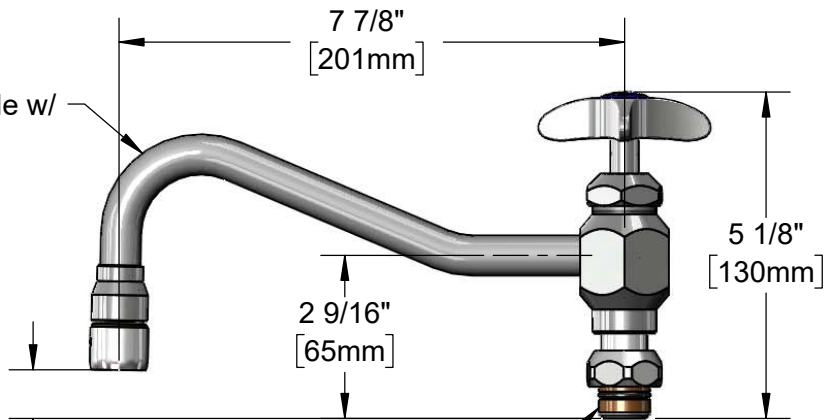


Opening Faucet Pressurizes Hose. For Full Hose Pressure, Turn 4-Arm Handle Until It Pops Up, Stopping Water Flow Through Nozzle



4-Arm Handle

7 7/8" Swing Nozzle w/  
B-0199-02  
2.2 GPM Aerator



Swivel Piece Fits  
All Standard T&S  
Swivel Outlets

Product Specifications:  
Swivel Diverter Valve w/ 4-Arm Handle, 7 7/8" Nozzle & 2.2 GPM Aerator

Product Compliance:  
NSF 61 - Section 9  
NSF 372 (Low Lead Content)



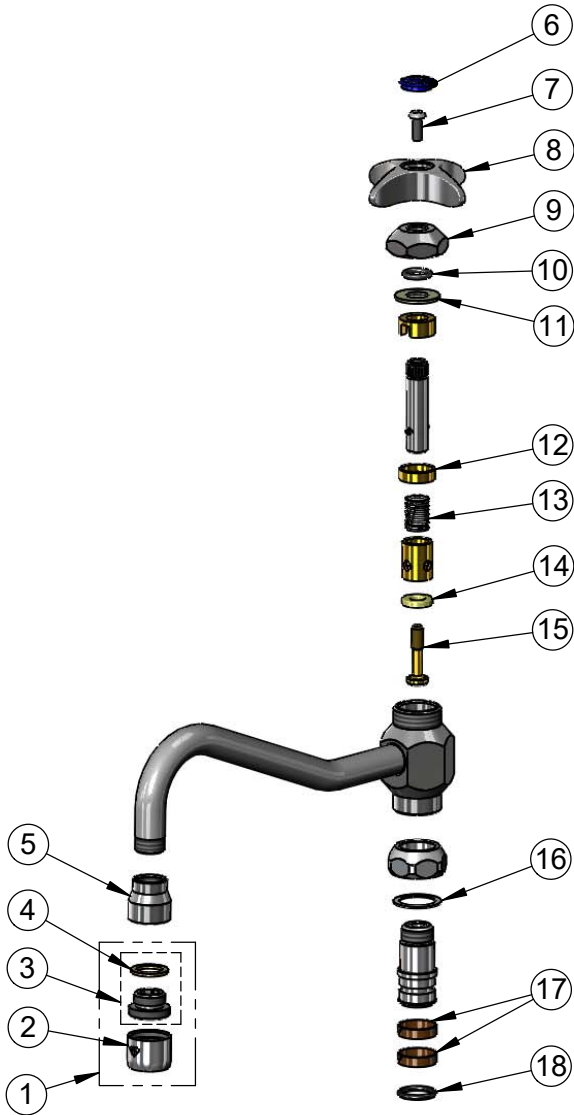
**T&S BRASS AND BRONZE WORKS, INC.**  
 2 Saddleback Cove / P.O. Box 1088  
 Travelers Rest, SC 29690

Model No.  
**002878-40**

Item No.

Travelers Rest, SC: 800-476-4103 • Simi Valley, CA: 800-423-0150 • Fax: 864-834-3518 • www.tsbrass.com

ITEM NO.	SALES NO.	DESCRIPTION
1	B-0199-02	2.2 GPM Aerator, 3/8" NPSM Male
2	B-0199-01	2.2 GPM Aerator, 55/64"-27 UN Female
3	044A	3/8" to Aerator Adapter
4	001043-45	Washer
5	000557-25	Bell Adapter, 5/8-27 UN Female x 3/8" NPSM Female
6	019959-45	Press-In Diverter Index
7	000925-45	Lab Handle Screw </td
8	002521-45NS	4-Arm Handle (New Style)
9	000881-40	Bonnet Nut
10	001075-45	O-ring
11	001047-45	Washer, Santoprene
12	000875-20	Washer
13	000893-45	Spring
14	001084-45	Seat Washer
15	000832-20	Stem Diverter Bottom
16	009538-45	Swivel Washer
17	011429-45	Swivel Sleeves (2)
18	001074-45	O-Ring



Product Specifications:  
 Swivel Diverter Valve w/ 4-Arm Handle, 7 7/8" Nozzle & 2.2 GPM Aerator

Product Compliance:  
 NSF 61 - Section 9  
 NSF 372 (Low Lead Content)