



T&S BRASS AND BRONZE WORKS, INC.

2 Saddleback Cove / P.O. Box 1088
Travelers Rest, SC 29690

Model No.

002857-40

Item No.

Travelers Rest, SC: 800-476-4103 • Simi Valley, CA: 800-423-0150 • Fax: 864-834-3518 • www.tsbrass.com

This Space for Architect/Engineer Approval

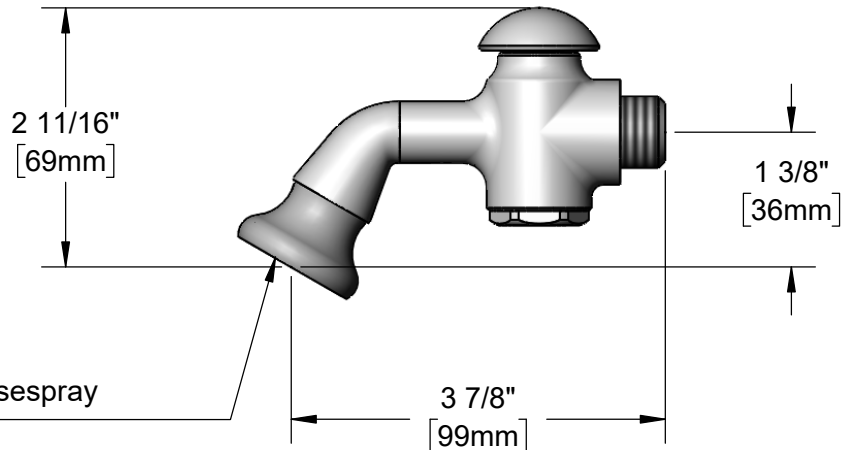
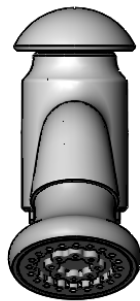
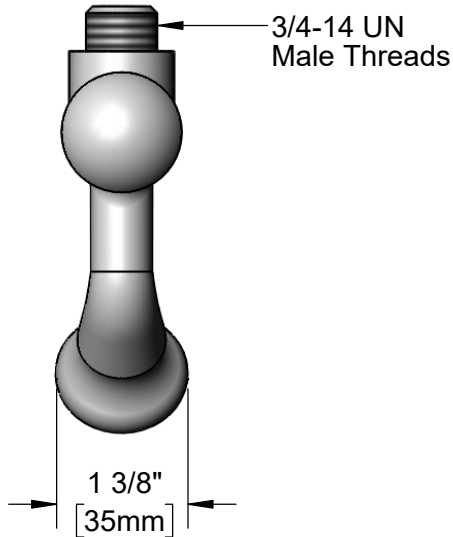
Job Name _____ Date _____

Model Specified _____ Quantity _____

Customer/Wholesaler _____

Contractor _____

Architect/Engineer _____



B-0103
2.2 GPM Rosespray
Outlet

Product Specifications:
Push Button Spray Valve w/ 2.2 GPM Rosespray Outlet

Product Compliance:
ASME A112.18.1 / CSA B125.1
NSF 61 - Section 9
NSF 372 (Low Lead Content)
2019 DOE PRSV Non-Compliant
Product Not Designed/Intended for
Commercial Warewashing in North America



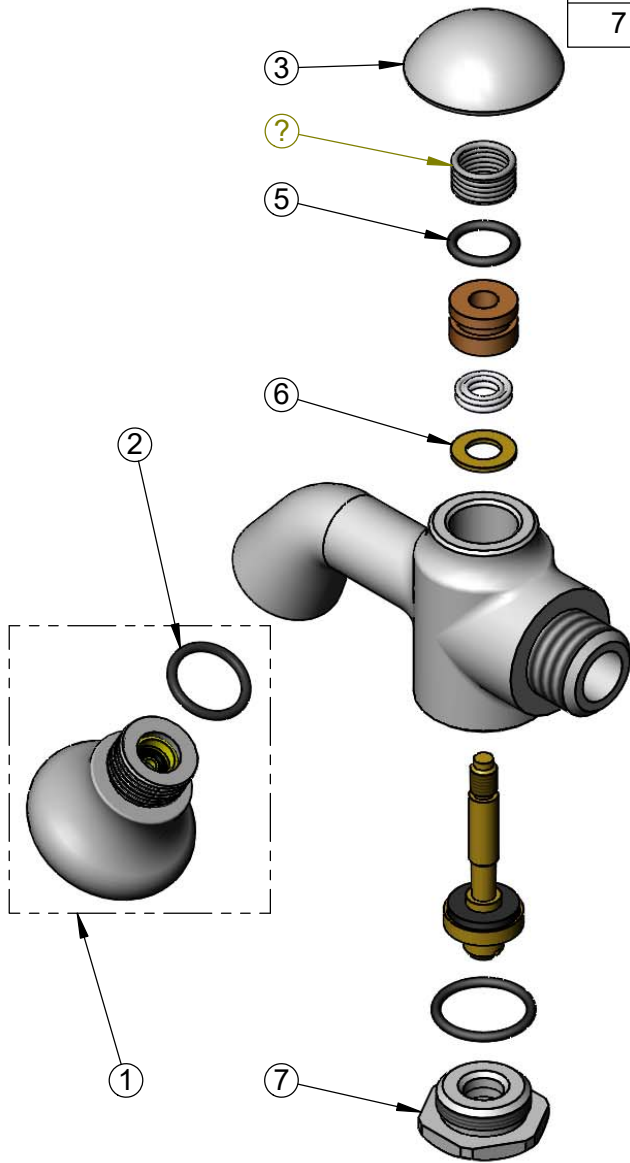
T&S BRASS AND BRONZE WORKS, INC.
 2 Saddleback Cove / P.O. Box 1088
 Travelers Rest, SC 29690

Model No.
002857-40

Item No.

Travelers Rest, SC: 800-476-4103 • Simi Valley, CA: 800-423-0150 • Fax: 864-834-3518 • www.tsbrass.com

ITEM NO.	SALES NO.	DESCRIPTION
1	B-0103	2.2 GPM Rosespray Outlet w/ 3/8" NPT Male Threads
2	006575-45	-015 O-Ring
3	000622-40	Mushroom Cap
4	000894-45	Spring
5	001063-45	O-ring
6	000974-45	B-0107 Bonnet Washer
7	000623-40	Hex Cap



Product Specifications:
 Push Button Spray Valve w/ 2.2 GPM Rosespray Outlet

Product Compliance:
 ASME A112.18.1 / CSA B125.1
 NSF 61 - Section 9
 NSF 372 (Low Lead Content)
 2019 DOE PRSV Non-Compliant
 Product Not Designed/Intended for
 Commercial Warewashing in North America