



T&S BRASS AND BRONZE WORKS, INC.
 2 Saddleback Cove / P.O. Box 1088
 Travelers Rest, SC 29690

Model No.
002850-40

Item No.

Travelers Rest, SC: 800-476-4103 • Simi Valley, CA: 800-423-0150 • Fax: 864-834-3518 • www.tsbrass.com

This Space for Architect/Engineer Approval

Job Name _____ Date _____

Model Specified _____ Quantity _____

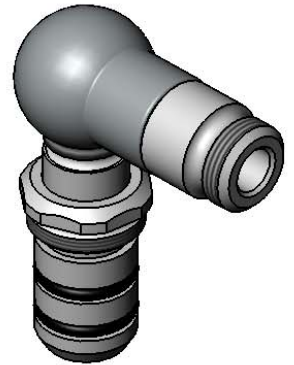
Customer/Wholesaler _____

Contractor _____

Architect/Engineer _____

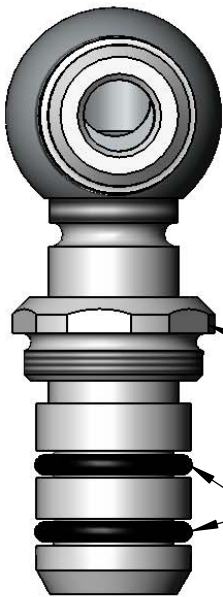


3/4-14 UN Male
 Threads



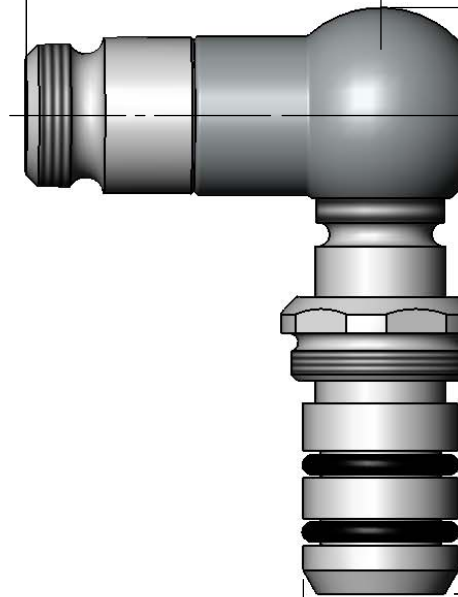
2 5/16"
 [59mm]

1 7/8"
 [47mm]



Swivel Nut w/
 15/16-18 UN
 Male Threads

O-Rings



3 1/16"
 [78mm]

2 1/2"
 [63mm]

Ø 13/16"
 [21mm]

Product Specifications:
 B-0180 Swivel Unit

Product Compliance:
 ASME A112.18.1 / CSA B125.1
 NSF 61 - Section 9
 NSF 372 (Low Lead Content)



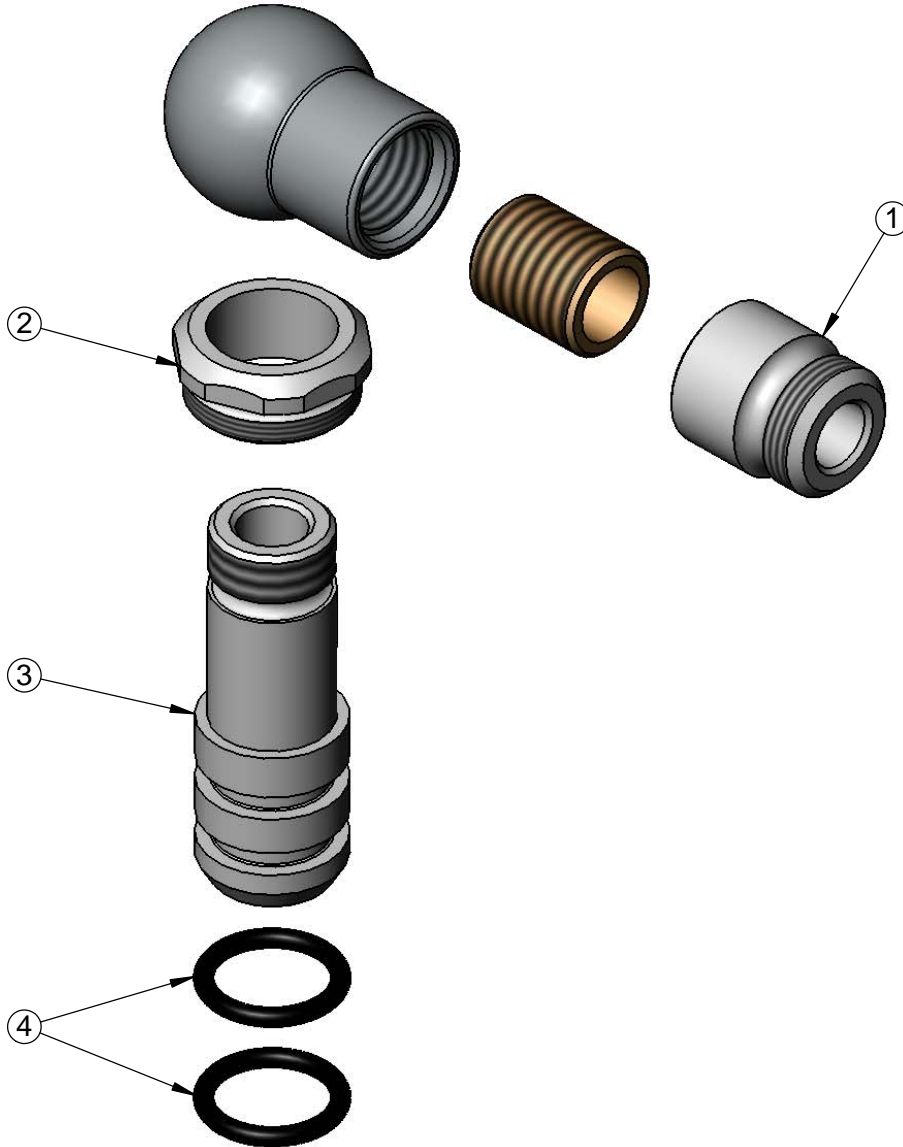
T&S BRASS AND BRONZE WORKS, INC.
2 Saddleback Cove / P.O. Box 1088
Travelers Rest, SC 29690

Model No.
002850-40

Item No.

Travelers Rest, SC: 800-476-4103 • Simi Valley, CA: 800-423-0150 • Fax: 864-834-3518 • www.tsbrass.com

ITEM NO.	SALES NO.	DESCRIPTION
1	000552-25	Adapter, 5/8-27 Female x 3/4-14 Male
2	000735-40	Swivel Nut
3	000839-25	Swivel Stem, 3/8 NPT
4	001074-45	O-Ring



Product Specifications:
B-0180 Swivel Unit

Product Compliance:

ASME A112.18.1 / CSA B125.1
NSF 61 - Section 9
NSF 372 (Low Lead Content)