



T&S BRASS AND BRONZE WORKS, INC.
 2 Saddleback Cove / P.O. Box 1088
 Travelers Rest, SC 29690

Model No.
002837-40

Item No.

Travelers Rest, SC: 800-476-4103 • Simi Valley, CA: 800-423-0150 • Fax: 864-834-3518 • www.tsbrass.com

This Space for Architect/Engineer Approval

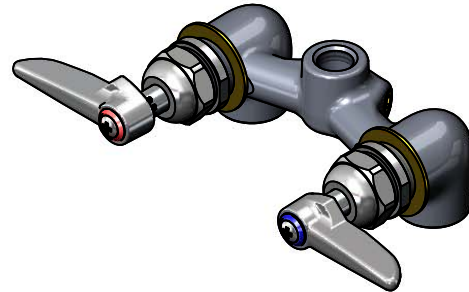
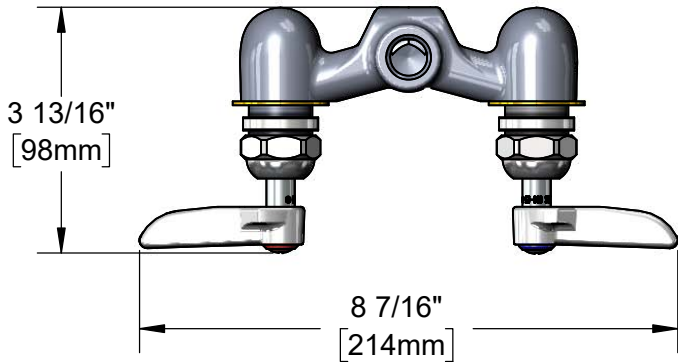
Job Name _____ Date _____

Model Specified _____ Quantity _____

Customer/Wholesaler _____

Contractor _____

Architect/Engineer _____



B-1100 Spindles w/
 Lever Handles &
 Color Coded Indexes

3/8" NPT
 Female Outlet

1 15/16"
 [49mm]

4"
 [102mm]

1/2" NPT
 Female Inlets

3/4"
 [19mm]
 To Outlet

3/16"
 [5mm]
 Maximum
 Thickness

15/16"
 [23mm]
 To Inlet

Product Specifications:

4" Concealed Splash Mount Mixing Faucet, Lever Handles, 1/2" NPT Female Inlets & 3/8" NPT Female Outlet

Product Compliance:

ASME A112.18.1 / CSA B125.1
 NSF 61 - Section 9
 NSF 372 (Low Lead Content)



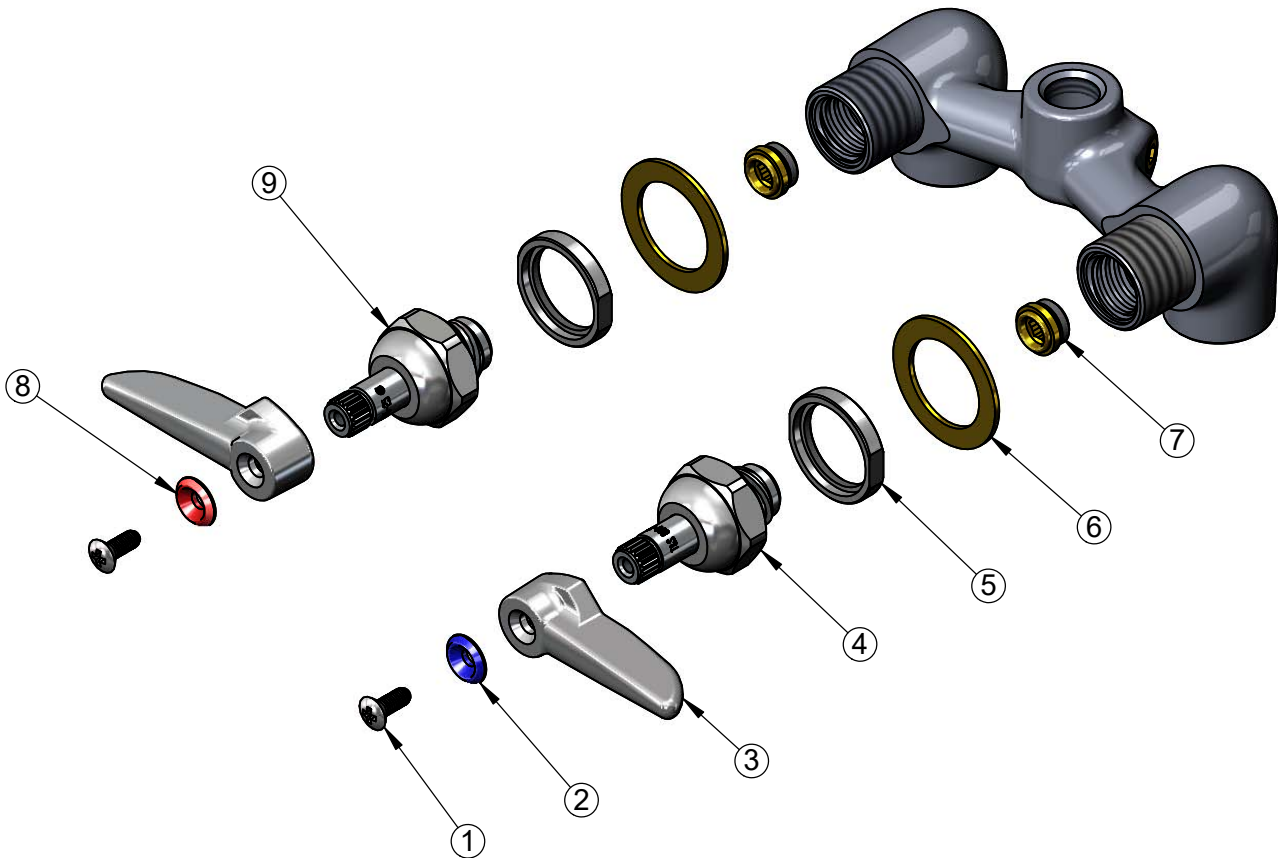
T&S BRASS AND BRONZE WORKS, INC.
 2 Saddleback Cove / P.O. Box 1088
 Travelers Rest, SC 29690

Model No.
002837-40

Item No.

Travelers Rest, SC: 800-476-4103 • Simi Valley, CA: 800-423-0150 • Fax: 864-834-3518 • www.tsbrass.com

ITEM NO.	SALES NO.	DESCRIPTION
1	000922-45	Lever Handle Screw
2	001660-45	Blue Index-CW
3	001638-45	Lever Handle
4	009753-25	B-1100 Spindle Assembly, LTC
5	000712-25	Escutcheon Lock Nut
6	000995-45	Washer
7	000763-20	Seat
8	001661-45	Red Index-HW
9	009754-25	B-1100 Spindle Assembly, RTC



Product Specifications:
 4" Concealed Splash Mount Mixing Faucet, Lever Handles, 1/2" NPT Female Inlets & 3/8" NPT Female Outlet

Product Compliance:
 ASME A112.18.1 / CSA B125.1
 NSF 61 - Section 9
 NSF 372 (Low Lead Content)