



T&S BRASS AND BRONZE WORKS, INC.
 2 Saddleback Cove / P.O. Box 1088
 Travelers Rest, SC 29690

Model No.
001AS

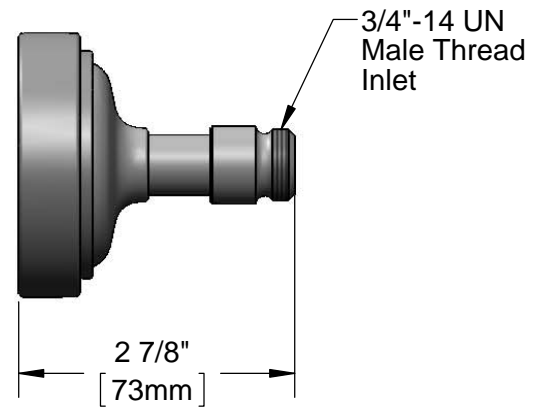
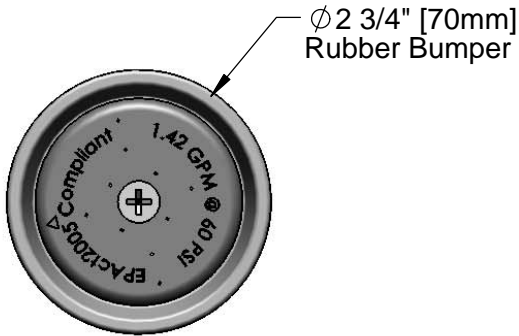
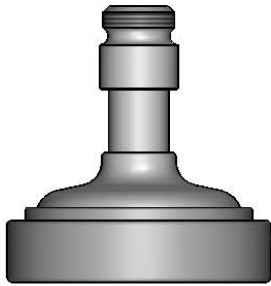
Item No.

Travelers Rest, SC: 800-476-4103 • Simi Valley, CA: 800-423-0150 • Fax: 864-834-3518 • www.tsbrass.com

This Space for Architect/Engineer Approval

Job Name _____ Date _____
 Model Specified _____ Quantity _____
 Customer/Wholesaler _____
 Contractor _____
 Architect/Engineer _____

EPAct 2005 COMPLIANT



Product Specifications:
 Gray Spray Head w/ Adapter
 (1.42 GPM @ 60 PSI)

Drawn KJG	Checked DMH	Approved JHB
Scale: 1:2		Date: 10/04/13



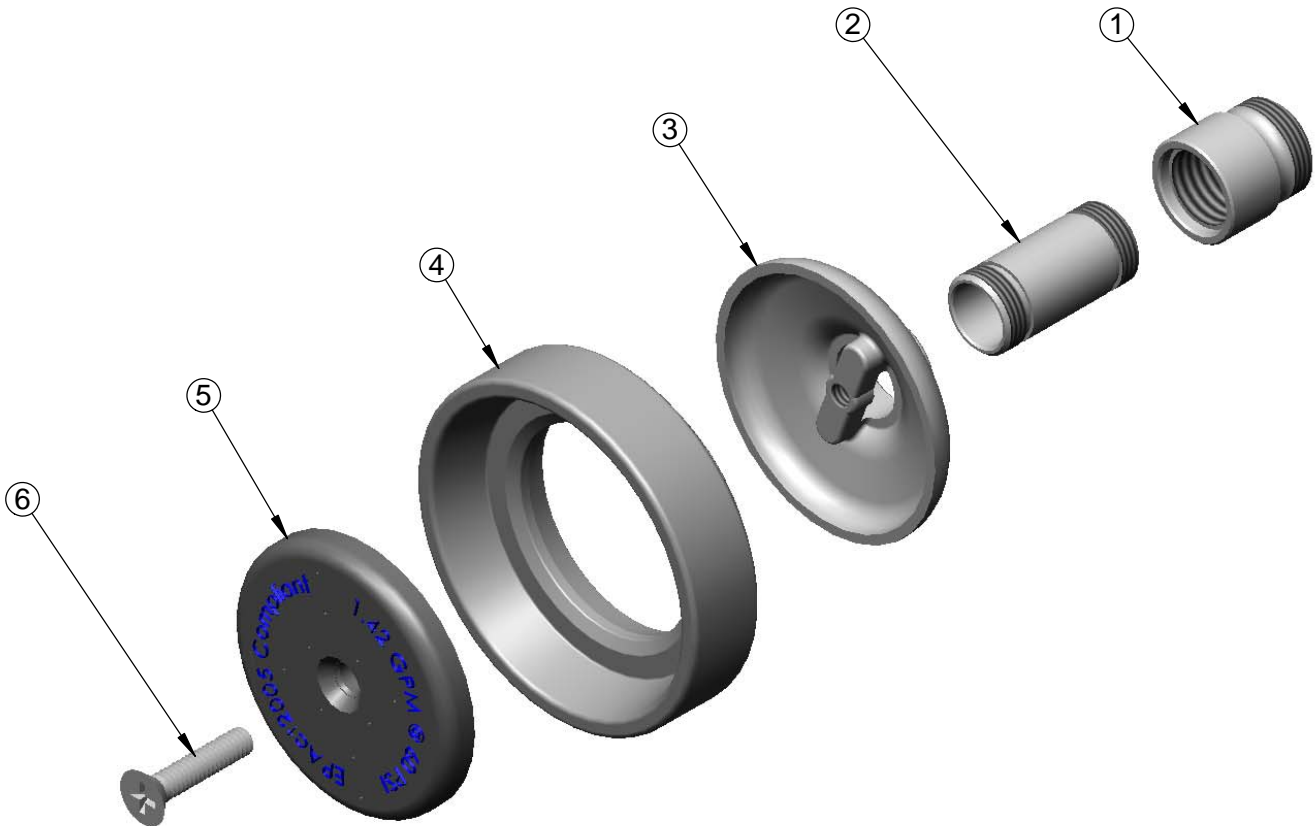
T&S BRASS AND BRONZE WORKS, INC.
 2 Saddleback Cove / P.O. Box 1088
 Travelers Rest, SC 29690

Model No.
001AS

Item No.

Travelers Rest, SC: 800-476-4103 • Simi Valley, CA: 800-423-0150 • Fax: 864-834-3518 • www.tsbrass.com

ITEM NO.	SALES NO.	DESCRIPTION
1	000552-25	Adapter, 3/4"-14 Male x 5/8"-17 Female
2	000694-40	Short Nipple, B-0107
3	000019-40	Spray Cup, B-0107
4	007861-45	Spray Valve Sprayhead Ring
5	001121-45	Spray Valve Sprayface
6	000913-45	Screw, Sprayface



Product Specifications:
 Gray Spray Head w/ Adapter
 (1.42 GPM @ 60 PSI)

Drawn KJG	Checked DMH	Approved JHB
Scale: NTS		Date: 10/04/13