



T&S BRASS AND BRONZE WORKS, INC.

2 Saddleback Cove / P.O. Box 1088
Travelers Rest, SC 29690



REG. #A2601
ISO #9001

Model No.
001904-25

Item No.

Travelers Rest, SC: 800-476-4103 Simi Valley, CA: 800-423-0150 Fax: 864-834-3518 www.tsbrass.com

This Space for Architect/Engineer Approval

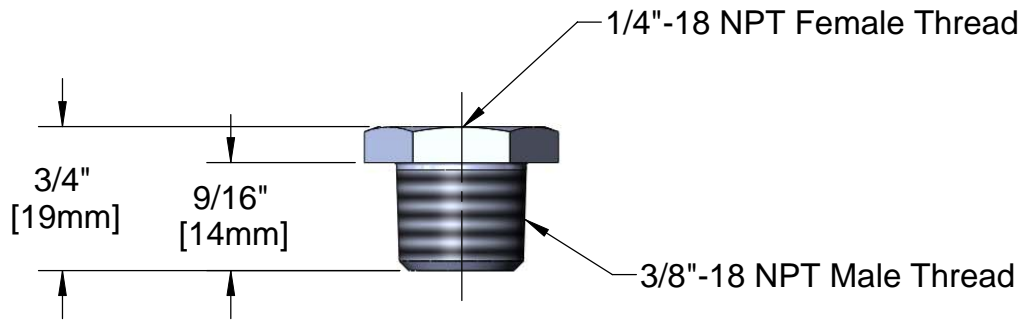
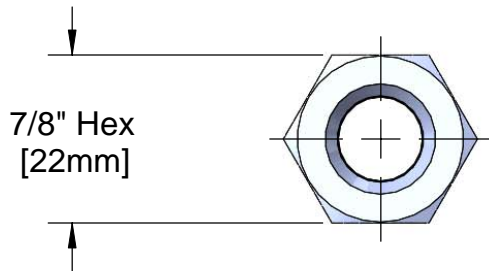
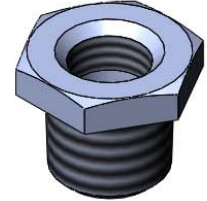
Job Name _____ Date _____

Model Specified _____ Quantity _____

Customer/Wholesaler _____

Contractor _____

Architect/Engineer _____



Finish: Rough Chrome Plated

Product Specifications:

Hex Bushing, 3/8"-18 NPT Male x 1/4"-18 NPT Female

Drawn

DMH

Checked

JRM

Approved

JHB

Scale:

1:1

Date:

12/11/09