



T&S BRASS AND BRONZE WORKS, INC.
 2 Saddleback Cove / P.O. Box 1088
 Travelers Rest, SC 29690

Model No.
001496-45

Item No.

Travelers Rest, SC: 800-476-4103 • Simi Valley, CA: 800-423-0150 • Fax: 864-834-3518 • www.tsbrass.com

This Space for Architect/Engineer Approval

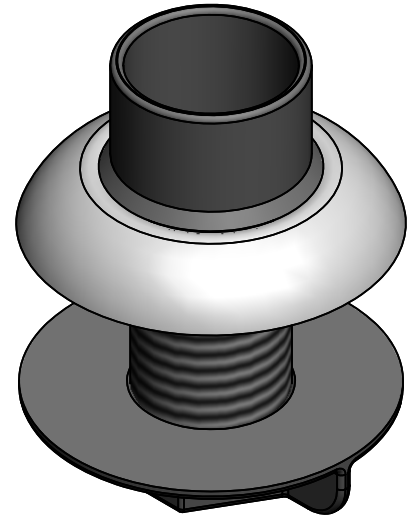
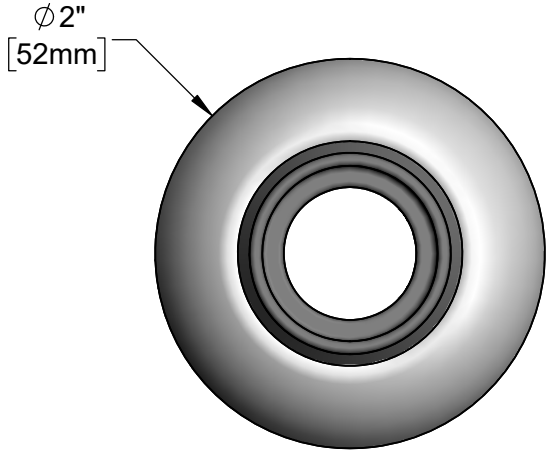
Job Name _____ Date _____

Model Specified _____ Quantity _____

Customer/Wholesaler _____

Contractor _____

Architect/Engineer _____

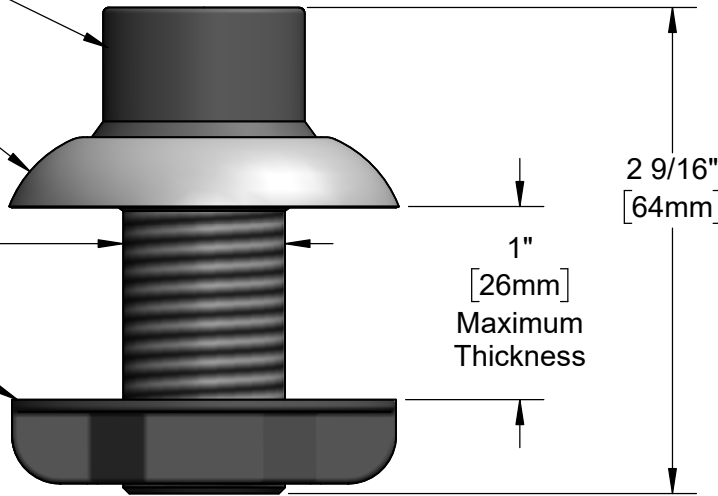


Black Delrin Plastic
 Threaded Hose
 Guide

Chrome Plated
 Escutcheon

$\phi 13/16''$
[21mm]

Locknut



Rough-In Requirement:
 $\phi 1 \frac{1}{2}''$ [38mm] Mounting Hole

Product Specifications:
 Sidespray Hose Guide

Product Compliance: