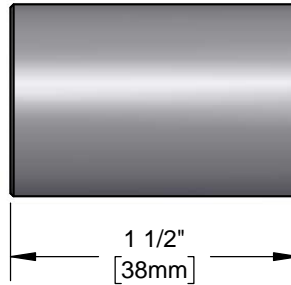
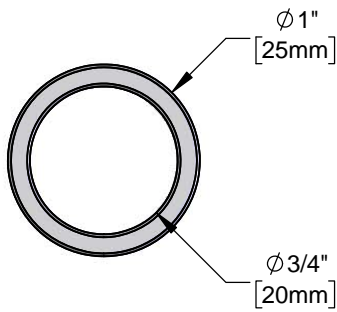
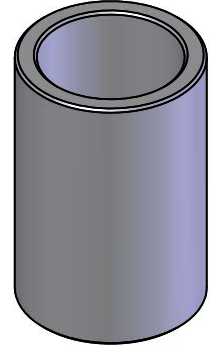




**Architect/Engineering Specifications:**

Polished chrome plated brass spring rest.

Job Name \_\_\_\_\_  
 Model Specified \_\_\_\_\_ Quantity \_\_\_\_\_  
 Variations Specified \_\_\_\_\_  
 Date \_\_\_\_\_



**Features & Benefits:**

- Spring rest
- Material: Polished chrome plated brass

**Product Compliance:**

- N/A

**Warranty:** One Year (Limited)

**Performance Data:**

- N/A

