



Architect/Engineering Specifications:

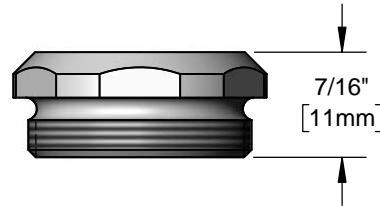
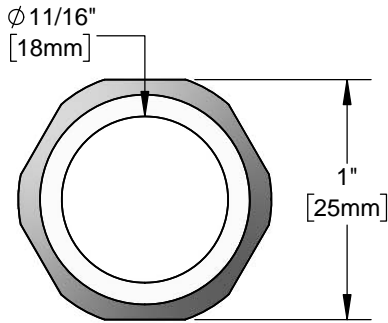
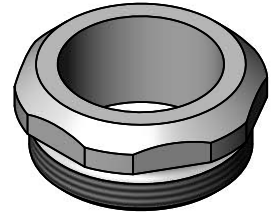
Polished chrome plated hex nut, pre-rinse swivel, 15/16-18 male thread.

Job Name _____

Model Specified _____ Quantity _____

Variations Specified _____

Date _____



Features & Benefits:

- Hex nut, pre-rinse swivel
- 15/16-18 male thread
- Material: Polished chrome plated brass

Product Compliance:

- N/A

Warranty: One Year (Limited)

Performance Data:

- N/A

