



Architect/Engineering Specifications:

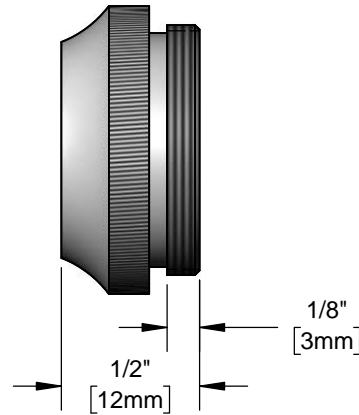
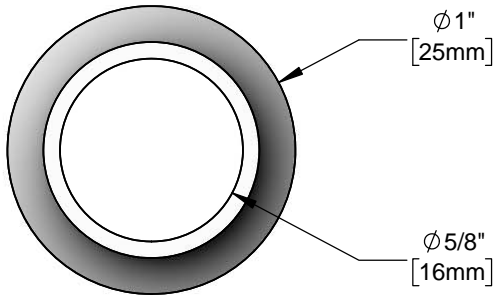
Polished chrome plated index ring for self-closing cartridge with 7/16-27 male threads and medium straight knurl.

Job Name _____

Model Specified _____ Quantity _____

Variations Specified _____

Date _____



Features & Benefits:

- Index ring for self-closing cartridge
- 7/16-27 female thread
- Medium straight knurl
- Material: Polished chrome plated brass

Product Compliance:

- N/A

Warranty: One Year (Limited)

Performance Data:

- N/A

