

Features

- Solid brass body
- Ceramic disc cartridge
- Single lever handle
- Fixed tub spout
- Floor mount
- Brass handshower with 59" stainless steel spiral hose
- Handshower spray setting: full body spray
- Includes floor mount tub filler rough-in valve with solid brass body
- Handshower is limited to 2.5 gpm (9.5L/min) @ 80 psi
- Bathtub spout minimum 2.4 gpm (9.0L/min) @ 20 psi

Warranty

- Lifetime Limited Warranty for residential use
- 5 Year Limited Warranty for commercial use



Specified Model

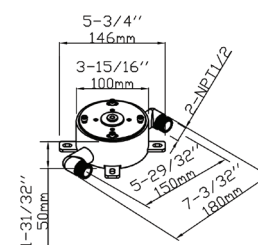
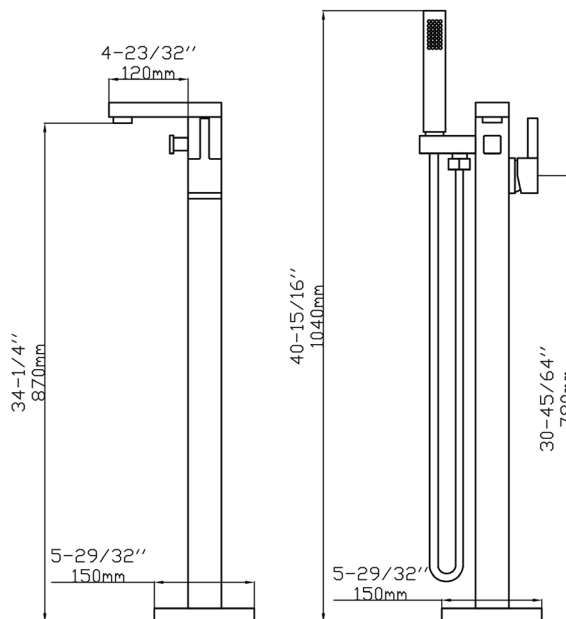
Model	T4220
Tub Filler Height	40 ¹⁵ / ₁₆ " (1040 mm)
Spout Reach	4 ²³ / ₃₂ " (120 mm)
Floor to Spout	34 ¹ / ₄ " (870 mm)
Flow Rate	2.5 gpm max (9.5L/min) @ 80 psi
Shipping Weight	26 lbs.
Material	brass construction
Valve Type	single function
Installation	floor mount

To Be Specified:

	Finish
<input type="checkbox"/>	PC Polished Chrome
<input type="checkbox"/>	BN Brushed Nickel

Codes/Standards

Certified to CUPC
ADA compliant for lever handle



Notes

Install this product according to the installation instructions.