

Features

- 23⁵/₈" (600) x 21" (532) x 9" (229) undermount kitchen sink.
- D-shape single compartment.
- 16 gauge 304 stainless steel.
- Rear center drain location.
- Brushed finish with highlight rim.
- 10mm radius corners.
- 3mm sound deadening pads.
- Fits 27" base cabinet width.

Components

Product includes:
Cutout Template
Installation Hardware
Installation Instructions

Options

2210R Covered Sink Strainer or
4010 Covered Disposer Strainer
TMTK1 Magnetic Tool Set

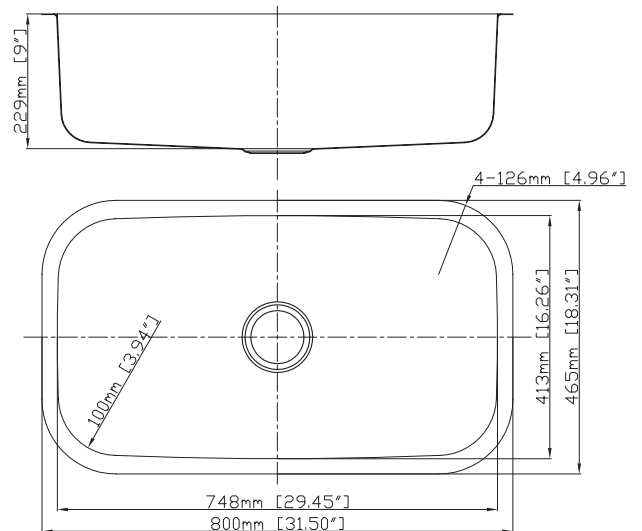
Warranty

- Lifetime Limited Warranty



Specified Model

Model	MUSB24219
Overall Dimensions	L23 ⁵ / ₈ " x W21" x D9" 600 x 532 x 229
Bowl Dimensions	L21 ²⁹ / ₆₄ " x W18 ¹³ / ₁₆ " x D9" 545 x 478 x 229
Drain hole:	3 ⁵ / ₈ " (92mm)
Shipping Weight	30 lbs.
Material	16 gauge 304 stainless steel
Installation	under counter mounted
Required	template, included



Codes/Standards

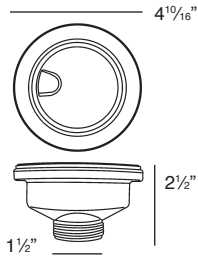
ASME A112.19.3/CSA B45.4

Notes

Install this product according to the installation instructions.

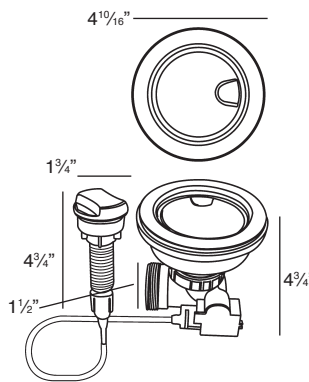
Optional Accessories

2210R Covered Flip Top Sink Strainer.



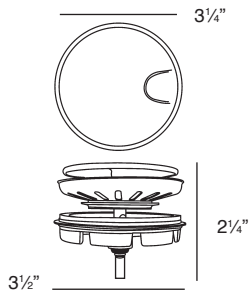
Water drains easily when cover is in place. Cover flips up with easy touch. Polypropylene housing. Fits standard 3 1/2" opening.

2310 Remote Covered Flip Top Sink Strainer.



Turn the remote knob to open and close drain. Water drains easily when cover is in place. Cover flips up with easy touch. Polypropylene housing. Fits standard 3 1/2" opening. 1 3/8" hole required in countertop for remote installation. Remote cable 25 1/2" L.

4010 Covered Flip Top Disposer Strainer.



Water drains easily when cover is in place. Cover flips up with easy touch. Polypropylene housing. Top mount installation for 3 1/2" opening.