

Features

- 31½" (800) x 20½" (520) / 18" (406) x 9" (229) undermount kitchen sink.
- Double (large/small) compartments.
- 16 gauge 304 stainless steel.
- Smaller sink on right.
- Rear center drain location.
- Brushed finish with highlight rim.
- 10mm radius corners.
- 3mm sound deadening pads.
- Fits 36" base cabinet width.

Components

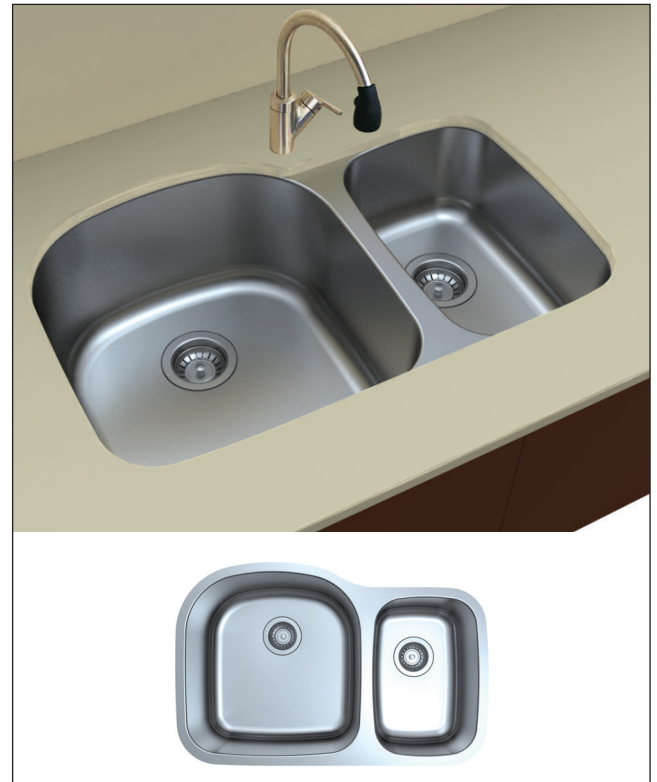
Product includes:
Cutout Template
Installation Hardware
Installation Instructions

Options

- 2210R Covered Sink Strainer
- 4010 Covered Disposer Strainer
- TMTK1 Magnetic Tool Set

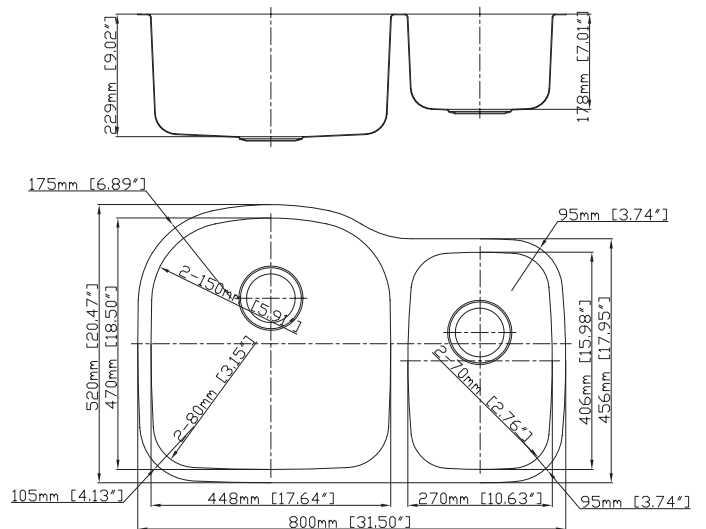
Warranty

- Lifetime Limited Warranty



Specified Model

Model	MUDD32219
Overall Dimensions	L31½" x W20½" / 17 ⁶³ / ₆₄ " x D9" 800 x 520 / 406 x 229
Bowl Dimensions (Left)	L17 ⁴¹ / ₆₄ " x W18½" x D9" 448 x 470 x 229
Bowl Dimensions (Right)	L10 ⁵ / ₈ " x W16" x D7" 270 x 406 x 178
Drain holes:	3 ⁵ / ₈ " (92mm)
Shipping Weight	37 lbs.
Material	16 gauge 304 stainless steel
Installation	under counter mounted
Required	template, included



Codes/Standards

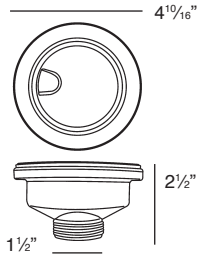
ASME A112.19.3/CSA B45.4

Notes

Install this product according to the installation instructions.

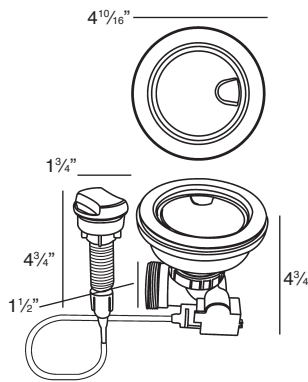
Optional Accessories

2210R Covered Flip Top Sink Strainer.



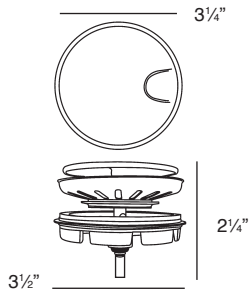
Water drains easily when cover is in place. Cover flips up with easy touch. Polypropylene housing. Fits standard 3½" opening.

2310 Remote Covered Flip Top Sink Strainer.



Turn the remote knob to open and close drain. Water drains easily when cover is in place. Cover flips up with easy touch. Polypropylene housing. Fits standard 3½" opening. 1 3/8" hole required in countertop for remote installation. Remote cable 25½" L.

4010 Covered Flip Top Disposer Strainer.



Water drains easily when cover is in place. Cover flips up with easy touch. Polypropylene housing. Top mount installation for 3½" opening.