

Features

- 32" (812) x 19" (483) x 10" (254) undermount kitchen sink.
- Super single compartment that is the size of a double bowl sink.
- Handcrafted from 16 gauge 304 stainless steel. Channel grooves in sink bottom direct water to drain. Premium brushed finish.
- Includes a stainless steel bottom sink grid and stainless covered flip-top sink strainer.
- 10mm radius corners.
- 5mm sound deadening pads.
- Fits 36" (914) minimum base cabinet width.

Components

- Product includes:
- TSG32191 Bottom Sink Grid
 - 2210R Covered Sink Strainer
 - Cutout Template
 - Installation Hardware
 - Installation Instructions

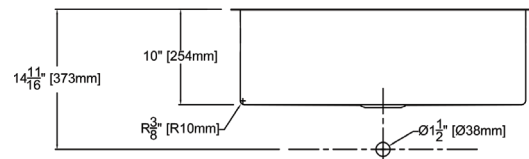
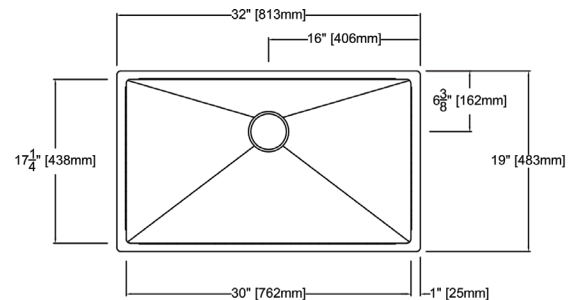
Warranty

- Lifetime Limited Warranty



Specified Model

Model	DUSS321910
Overall Dimensions	L32" x W19" x D10" 812 x 483 x 254
Bowl Dimensions	L30" x W17" x D10" 762 x 432 x 254
Drain hole:	3 ⁵ / ₈ " (92mm)
Shipping Weight	40 lbs.
Material	16 gauge 304 stainless steel
Installation	under counter mounted
Required	template, included



Codes/Standards

ASME A112.19.3/CSA B45.4

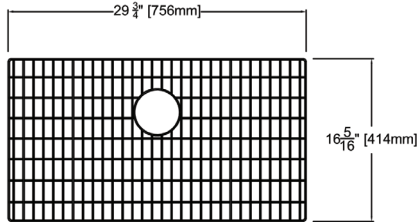
Notes

Install this product according to the installation instructions.

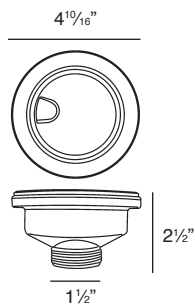
Components

Product includes:

TSG32191 Bottom Sink Grid



2210R Covered Flip Top Sink Strainer.



Water drains easily when cover is in place. Cover flips up with easy touch. Polypropylene housing. Fits standard 3 1/2" opening.

Optional 2310 Remote Covered Flip Top Sink Strainer is available.

Optional 4010 Covered Flip Top Disposer Strainer is available.

See Accessories to order.