

**FEATURES**

- 60" x 36" Shower Walls for new and existing construction.
- Thick 1/4" 100% solid surface material bonded to an 1-1/4" thick aluminum honeycomb polyurethane filled backer for superior strength. Solid surface material is easy to clean and will not support bacteria growth.
- 4-piece wall design glues directly to studs with supplied adhesive. Back wall can be alternately installed with aluminum hanging rail provided.
- Aluminum channel joints for easy installation and uniform structure.
- Four wall shelves included for convenient storage
- Wall Kit includes one pc. bullnose molding for use over lap joint on back wall, 8" long chrome shower arm, 15" slotted hanging rail, four 11-oz. tubes quick dry panel adhesive and two 11-oz. tubes 100% silicone adhesive.
- 10 Year Limited Residential Warranty / 3 Year Commercial Warranty

**COLORS**

- 3 Transitions colors with a 16" x 16" square tile pattern.

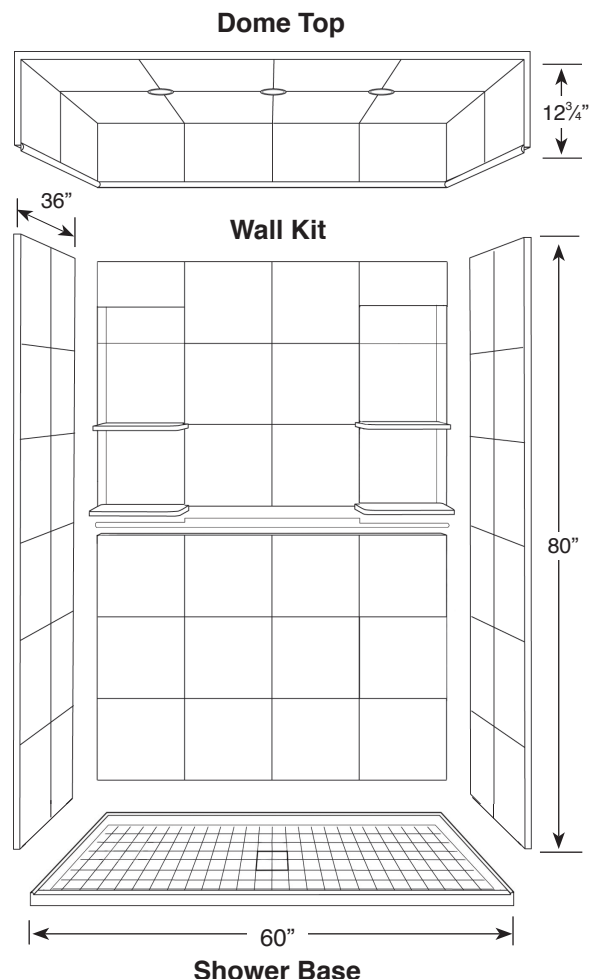
**OPTIONS**

- Dome Top slides in place and sits on top of the shower walls forming a complete 8' shower enclosure. The dome contains (3) waterproof UL approved 12 volt LED lights (40 year life).
- Shower base with concealed drain.
- Corner or Rectangular Shower Seats also available. See Accessories Specification sheet for details.



Shown with F6036 Shower Base, T6061 Dome Top

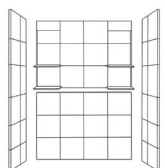
	SIZE	MODEL NO.	DESCRIPTION	Width	Depth	Height
<b>COMPLETE SHOWER KITS</b>						
<input type="checkbox"/>	60" x 36"	DKWF6068	Walls & Base Kit	60"	36"	83"
<input type="checkbox"/>	60" x 36"	DKWFT6068	Walls, Base, Dome Kit	60"	36"	95 3/4"
<b>SHOWER WALLS (only) KIT</b>						
<input type="checkbox"/>	60" x 36"	DKW6068	Wall Kit	60"	36"	80"
	60" x 80"	DB608	Back Wall (2 pcs.)	60"		80"
	36" x 80"	DE368	End Wall Set (2 pcs.)		36"	80"
<b>INDIVIDUAL COMPONENTS</b>						
<input type="checkbox"/>	60" x 36"	F6036	Shower Base	60"	36"	3"
<input type="checkbox"/>	60" x 36"	T6061	Dome Top	60"	36"	12 3/4"



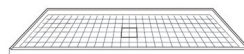
**To Be Specified:** Color (see below)

**Shower Wall Colors:**

**Shower Base Colors:**



	Shower Walls	Shower Base
<input type="checkbox"/>	<b>91</b> White Carrara	<b>11</b> Storm
<input type="checkbox"/>	<b>94</b> Sand Mountain	<b>14</b> Sand
<input type="checkbox"/>	<b>96</b> Almond Sky	<b>05</b> Almond



**Compliance Certifications - Meets or Exceeds the Following Specifications**

- IGC 154-2012
- ASME A112.18.1 / CSA B125.125.1-11
- cUPC®

# 60" x 36" shower DKWF6068



DIRECT-TO-STUD

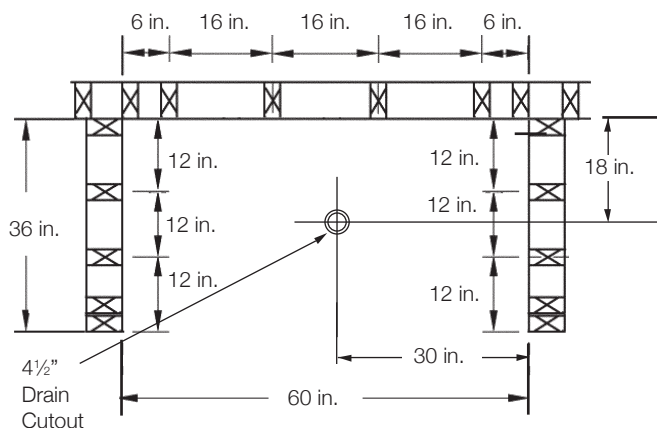
## INSTALLATION NOTES

This product is to be installed according to the installation guide.

Drain cutout in subfloor to be 4-1/2" diameter and located per the rough-in Illustration 1. Dry fit the shower base to ensure a proper fit and correct alignment of the shower drain and the hole in the floor.

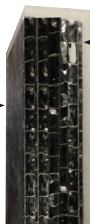
Unit can be installed with aluminum hanging rail provided. Alternate method of installation can be used without the use of the hanging rail (see full instructions for details). Position of hanging rail mounting is also critical. See Illustration 2 for horizontal positioning of hanging rail. The top of the hanging rail to be positioned at 76" above finished floor when using a 3" high Transolid® shower base. When you do not use a Transolid® shower base the upper hanging rail should be installed 73" above the finished threshold.

Illustration 1



## Strong 2-layer construction

1 1/4" thick Aluminum Honeycomb Backer provides strength and structure.



1/4" thick solid surface material for beauty and smooth bacteria free surface

Aluminum Channel Joints for easy installation

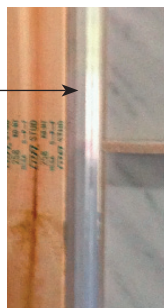
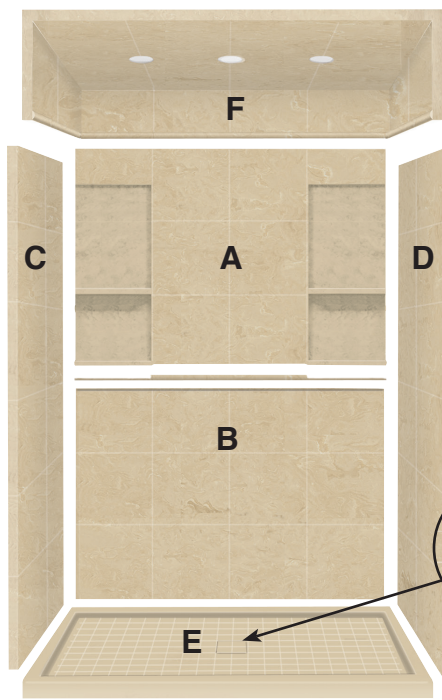
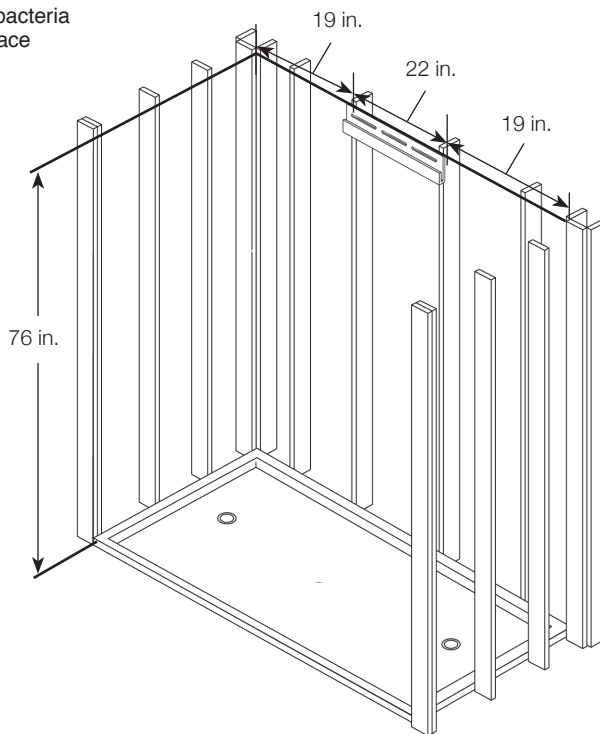


Illustration 2

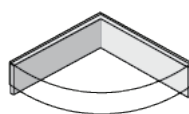


Concealed drain with color-matched lift-off drain cover, 2 1/4" mosaic tile pattern.

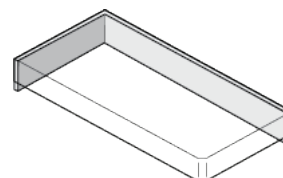
	MODEL NO.	DESCRIPTION
A	DB608U	Upper Back Wall (1 panel)
B	DB608D	Lower Back Wall (1 panel)
C	DE368L	Left End Wall (1 panel)
D	DE368R	Right End Wall (1 panel)
E	F6036	Shower Base - center drain
F	T6061	Dome Top with (3) LED Lights

## OPTIONS: ACCESSORIES

Available for on-site installation. Must be ordered separately. See Accessories Specification for further information.



Corner Shower Seat  
CSS1414



Rectangular Shower Seat  
RSS2412

## Product Information

MODEL NO.	SHOWER DOOR	
	MAXIMUM WIDTH	MAXIMUM HEIGHT
DKW6068	57"	80"