

TOPZERO®

MILAN TZ S773

Seamless Edge Stainless Steel Sink

SPECIFICATIONS

GENERAL

Fine quality sink bowls formed of 16 gauge BA 304 18/10 nickel bearing stainless steel.

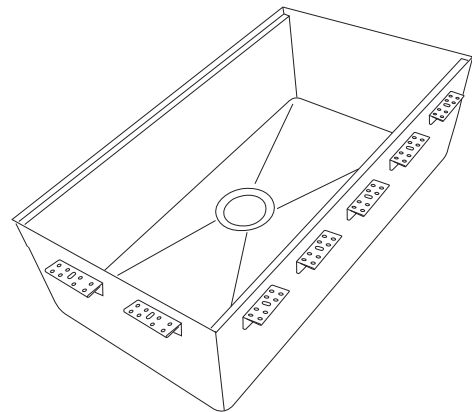
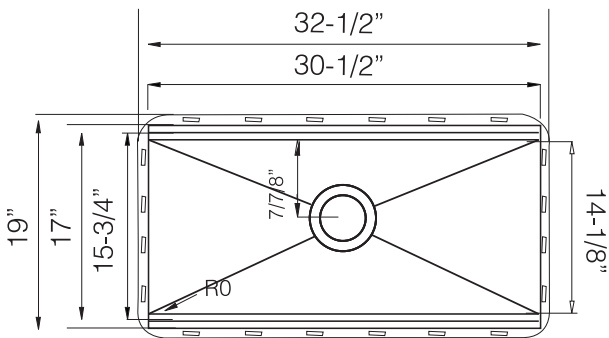
DESIGN FEATURES

Bowl Depth : 10"
Finish : Soft Satin Finish
Underside : Sound absorbing pads
and special paint
Drain Opening : 3-1/2"

ACCESSORIES

Stainless Steel Bottom Grid GRS 773 (Optional)
Wood Cutting Board CBS 90 (included)
Stainless Steel Colander CS 16.39 (Optional)
Stainless Steel Drying Rack DR 425 (Optional)

SINK DIMENSIONS (INCHES)

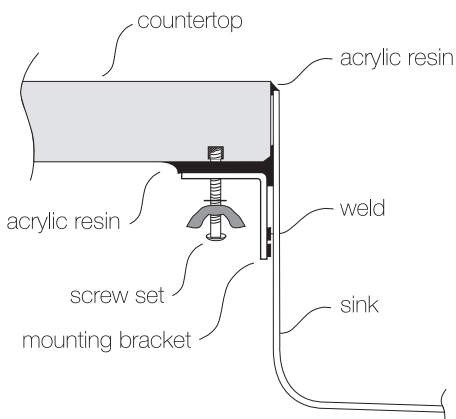


"U.S. and Foreign Patents Pending"



Recommended Cabinet Size 36"

INSTALLATION PROFILE *



Watch the TopZero Sink
Installation video on [YouTube](#)

follow / like us @      