

TOPZERO®

VENICE TZ L360.55

Seamless Edge Stainless Steel Sink

GENERAL

Fine quality sink bowls formed of 18 gauge BA 304 18/10 nickel bearing stainless steel.

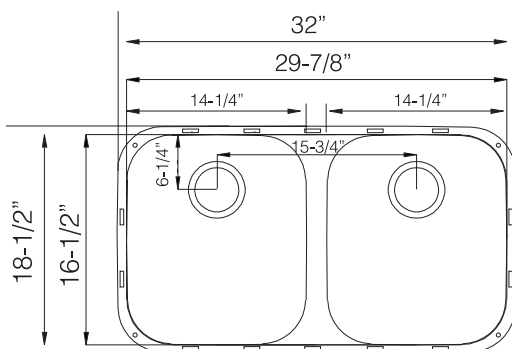
DESIGN FEATURES

Bowl Depth : 9"
Finish : Soft Satin Finish
Underside : Sound absorbing pads with special paint
Drain Opening : 3-1/2"

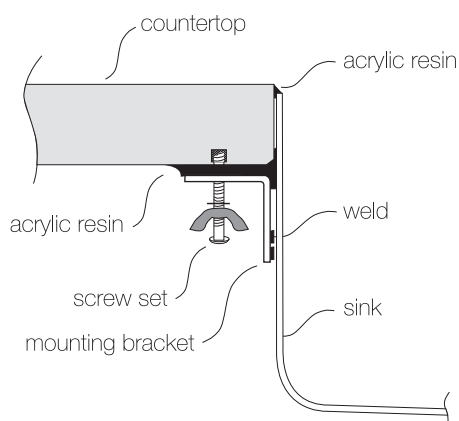
OPTIONAL ACCESSORIES

Stainless Steel Bottom Grid GR 360
Bamboo Cutting Board CB 60
Stainless Steel Grid RB 345
Stainless Steel Drying Rack DR 455

SINK DIMENSIONS (INCHES)

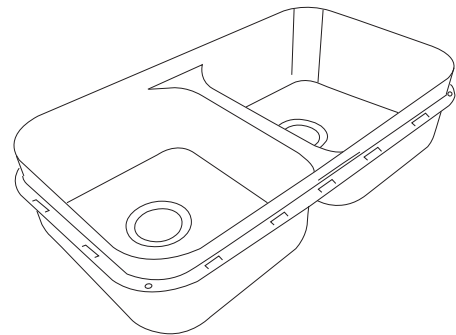


INSTALLATION PROFILE *

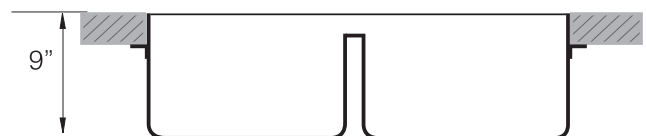


Watch the TopZero Sink
Installation video on [YouTube](#)

SPECIFICATIONS



Patented in USA; Foreign Patents Pending



follow / like us @

