

TOPZERO®

PALERMO TZ M395.55

Seamless Edge Stainless Steel Sink

SPECIFICATIONS

GENERAL

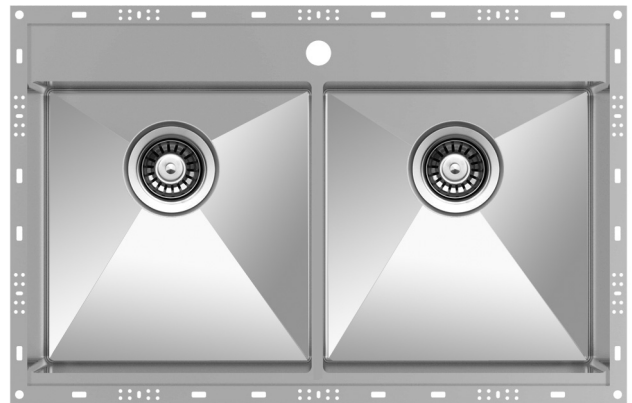
Fine quality sink bowls formed of 16 gauge BA 304 18/10 nickel bearing stainless steel.

DESIGN FEATURES

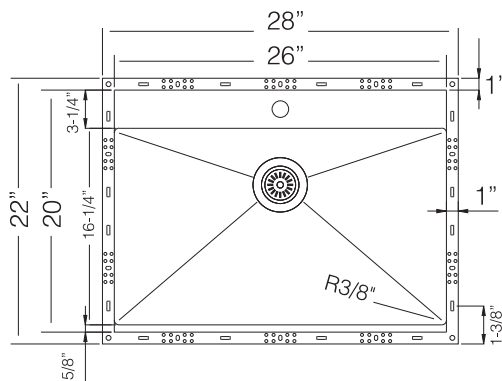
Bowl Depth : 10"
 Finish : Soft Satin Finish
 Underside : Sound absorbing pads and special paint
 Drain Opening : 3-1/2"

OPTIONAL ACCESSORIES

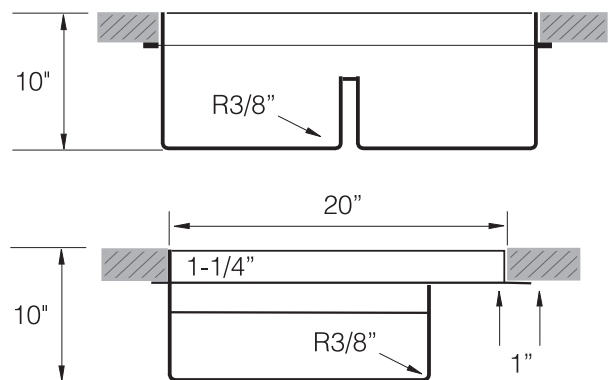
Stainless Steel Bottom Grid GRS 380 M
 Wood Cutting Board CBS 44
 Stainless Steel Drying Rack DR 495



SINK DIMENSIONS (INCHES)

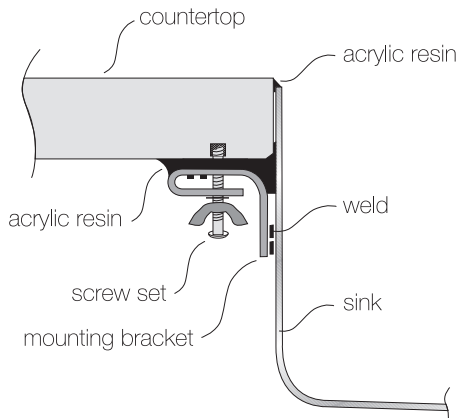


"U.S. and Foreign Patents Pending"



Recommended Cabinet Size 36"

INSTALLATION PROFILE



Watch the TopZero Sink
 Installation video on [YouTube](#)

follow / like us @

