

TOPZERO®

TURIN ADA TZ C763 ADA

Seamless Edge Stainless Steel Sink



SPECIFICATIONS

GENERAL

Fine quality sink bowls formed of 18 gauge BA 304 18/10 nickel bearing stainless steel.

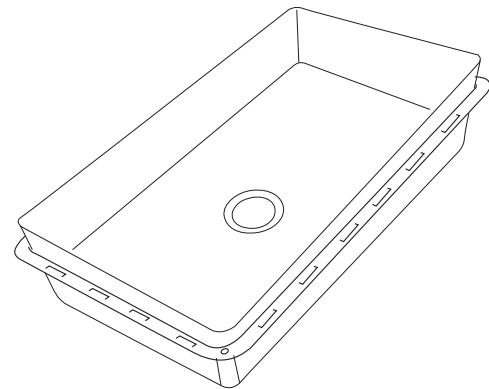
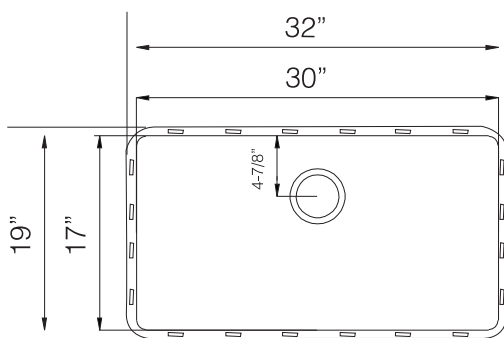
DESIGN FEATURES

- Bowl Depth : 5"
- Finish : Soft Satin Finish
- Underside : Sound absorbing pads and special paint
- Drain Opening : 3-1/2"
- Corner Radius : R10 mm (3/8")

OPTIONAL ACCESSORIES

- Stainless Steel Bottom Grid GR 763
- Bamboo Cutting Board CBS 49
- Stainless Steel Drying Rack DR 495

SINK DIMENSIONS (INCHES)

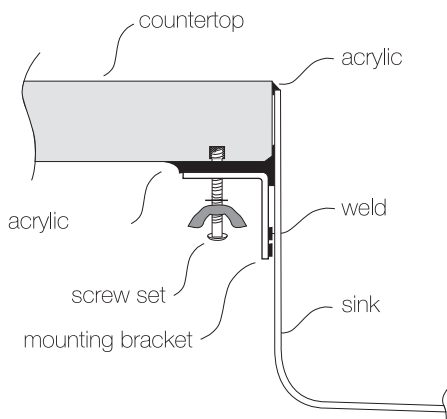


Patented in USA and Canada; Foreign Patents Pending



Recommended Cabinet Size 36"

INSTALLATION PROFILE*



Watch the TopZero Sink
Installation video on [YouTube](#)

follow / like us @

