

### FEATURES

---

- Maximum flow rate of 2.5 gpm (9.5 lpm)
- 4" diameter spray face
- Single spray handshower
- Rubber nozzles to prevent limescale build up
- Includes 60" metal shower hose, shower holder and shower elbow
- 1/2" NPT connection

### COLORS/FINISHES

---

- #CP Polished Chrome
- #BN Brushed Nickel
- #PN Polished Nickel

### CODES/STANDARDS

---

- Meets or exceeds ASME A112.18.1/CSA B125.1
- Certifications: IAPMO(cUPC), State of Massachusetts and others
- Code Compliance: UPC, IPC, NSPC, NPC Canada, and others



### PRODUCT SPECIFICATION

---

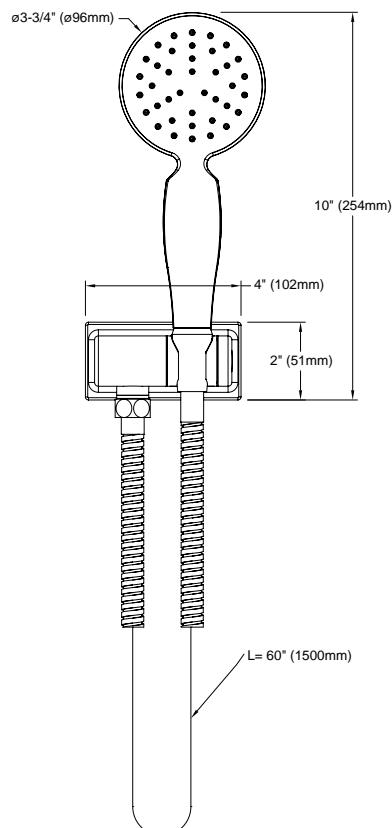
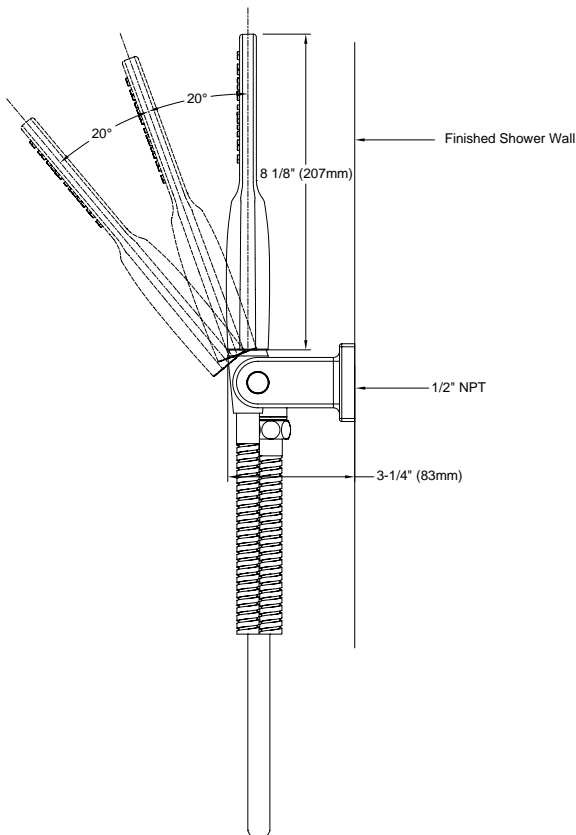
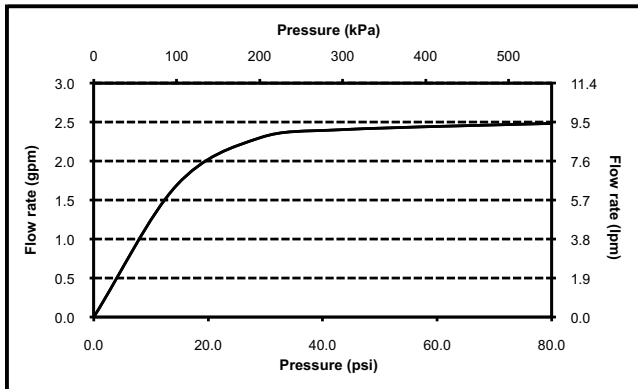
The handshower shall have a maximum flow rate of 2.5 gpm (9.5 lpm). Product shall have a 4" diameter spray face. Product shall be a single spray. Product shall have rubber nozzles to prevent limescale build up. Product shall include 60" metal shower hose, shower holder and shower elbow. Product shall have 1/2" NPT connection. Product shall be TOTO Model TS626F2#\_\_\_\_.

# TS626F2

## Aimes® Handshower Set

### SPECIFICATIONS

- Warranty Lifetime Limited Warranty (Residential Use)  
One Year (Commercial Use)
- Shipping Weight 4.4 lbs.
- Shipping Dimensions 11" L x 12-3/8" W x 3-5/8" H
- Maximum Flow Rate 2.5 gpm (9.51 lpm)



**TOTO®**

*These dimensions and specifications are subject to change without notice*