

Classic Series Aero Handshower

FEATURES

- Air injected AeroJet™ technology
- 2.5 gpm (9.5 lpm) maximum flow rate
- Multi-spray modes with full spray, cascade flow, and Gyrostream
- 5" diameter spray face
- Rubber nozzles to prevent limescale build up

COLORS/FINISHES

- #CP Polished Chrome
- #BN Brushed Nickel
- #PN Polished Nickel

CODES/STANDARDS

- Meets or exceeds ASME A112.18.1/CSA B125.1
- Certifications: IAPMO(cUPC), State of Massachusetts and others
- Code Compliance: UPC, IPC, NSPC, NPC Canada, and others



PRODUCT SPECIFICATION

The handshower shall have air injected AeroJet technology. Product shall have 2.5 gpm (9.5 lpm) maximum flow rate. Product shall have multi-spray modes with full spray, cascade flow, and Gyrostream. Product shall have 5" diameter spray face. Product shall have rubber nozzles to prevent limescale build up. Product shall be **TOTO Model TS112F53#_____**.

Please note the following components are sold separately:



TS101R
Wall Outlet



TS101S
Shower Arm Mount



TS101V
Handshower Wall-Mount



TS101W60
Shower Hose 60"

TS112F53

Classic Series Aero Handshower

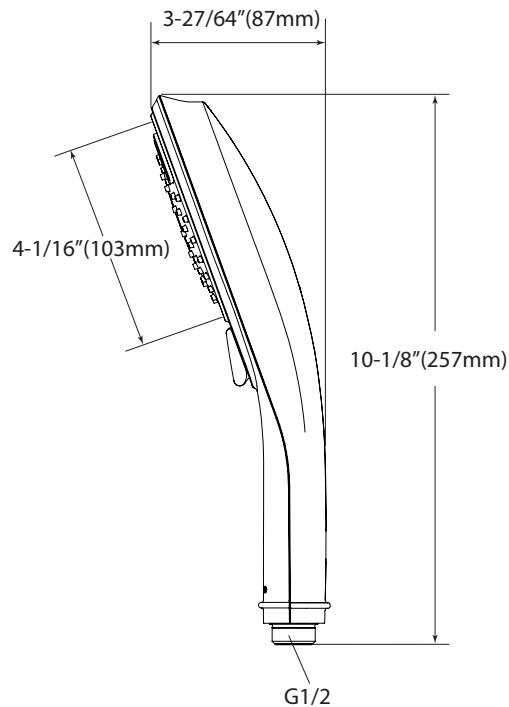
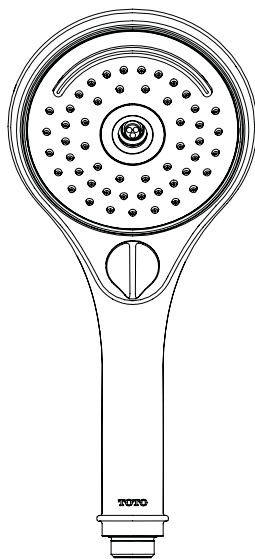
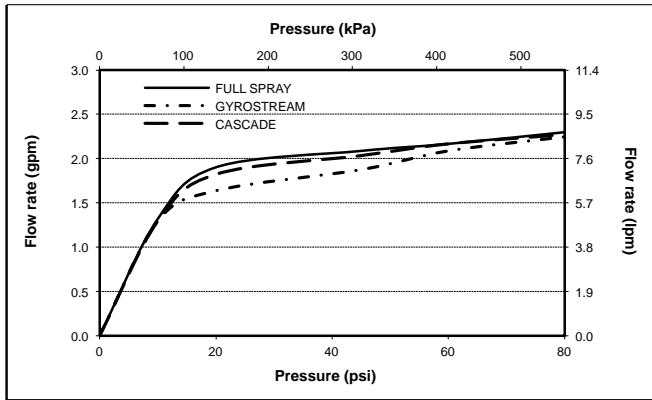
SPECIFICATIONS

- Warranty: Lifetime Limited Warranty (Residential Use)
One Year (Commercial Use)
- Material: Plastic
- Shipping Weight: 1.1 lbs.
- Shipping Dimensions: 13-1/4" x 5-1/4" x 2-3/8"
- Maximum Flow Rate: 2.5 gpm (9.5 lpm)

INSTALLATION NOTES

OPTIONAL HANDSHOWER COMPONENTS:

- TS101R: Wall Outlet
- TS101S: Shower Arm Mount
- TS101V: Handshower Wall-Mount
- TS101W60: Shower Hose 60"



TOTO

These dimensions and specifications are subject to change without notice