

Aquia® IV WASHLET®+ S7 One-Piece Toilet - 1.28 GPF / 0.9 GPF

FEATURES

- Concealed supply connection for seamless installation
- DYNAMAX TORNADO FLUSH® utilizes 360° cleaning power to reach every part of the bowl
- Ultra high-efficiency dual flush 1.28 GPF / 0.9 GPF (4.8 LPF / 3.4 LPF)
- CEFIONTECT® ceramic glaze minimizes waste from sticking to porous ceramic surfaces
- Completely skirted design for a sleek and understated look that's easier to clean
- Universal Height
- Chrome plated trip lever
- 12" Rough-in
- Elongated front bowl toilet and WASHLET+ S7 set
- EWATER+® auto-cleans wand and bowl after every use
- PREMIST® automatically mists the bowl before each use
- Multifunction pearl white block-style remote control
- Night light
- Auto flush available as upgrade



MODELS

- **MW6464726CEMFGNA (#01)**
With CEFIONTECT ceramic glaze, WASHLET+ S7 with contemporary design and Auto Flush
 - **CST646CEMFGNAT40**
Elongated bowl with CEFIONTECT
 - **SW4726AT40**
WASHLET+ S7
 - **THU855**
Auto Flush Kit
- **MW6464726CEMFGN (#01)**
Same as MW6464726CEMFGNA without Auto Flush

OPTIONAL COMPONENTS

- **TSU48.10**
10" Unifit Rough-In
- **TSU48.14**
14" Unifit Rough-In
- **THU848(#01, #BN, #PN)-A**
Push Button Assembly (Cotton, Brushed Nickel, Polished Nickel)

COLORS/FINISHES

- #01 Cotton

- TORNADO FLUSH**
- EWATER+**
- CEFIONTECT**
- Auto Flush**
- UNIVERSAL HEIGHT**

PRODUCT SPECIFICATION

The one-piece, ultra high-efficiency, DYNAMAX TORNADO FLUSH toilet shall be dual flush 1.28 GPF / 0.9 GPF. Toilet shall be coated with CEFIONTECT, elongated front bowl, high profile tank, UNIVERSAL HEIGHT, complete skirted bowl and chrome push-button. Toilet shall be TOTO Model MW6464726CEMFGN_#01.

See **SW4726AT40 Specification Sheet** for details on included WASHLET.

CODES/STANDARDS

- Meets and exceeds ASME A112.19.2/CSA B45.1, ASME A112.19.14
- Certifications: IAPMO (cUPC®), EPA WaterSense®, State of Massachusetts, City of Los Angeles, and others
- Code compliance: UPC, IPC, NSPC, NPC Canada, and others
- Legislative Compliance: California AB715, California Green Building Code, City of Los Angeles Water Efficiency Ordinance, and others
- ADA compliant for residential use with autoflush feature model
- Complies with CA Prop 65 warning requirements



MW6464726CEMFGN(A)

Aquia® IV WASHLET®+ S7 One-Piece Toilet - 1.28 GPF / 0.9 GPF

SPECIFICATIONS

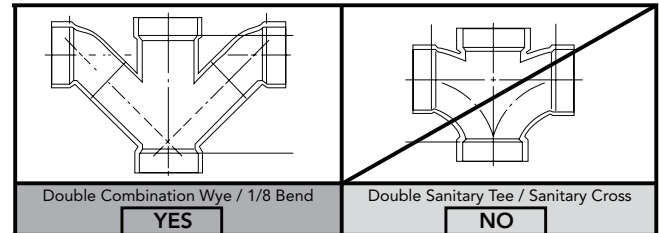
Water Use	1.28 GPF / 0.9 GPF (4.8 LPF / 3.4 LPF)
Flush System	DYNAMAX TORNADO FLUSH®
Min. Water Pressure	8 psi (Flowing)
Water Surface	7" x 5"
Trap Diameter	2-1/4"
Rough-in	12" (10" and 14" options available)
Trap Seal	2-1/8"
Warranty	One Year Limited Warranty
Material	Vitreous China
Shipping Weight	CST646CEMFGNAT40: 112 lbs SW4726AT40: 14.5 lbs
Shipping Dimensions	CST646CEMFGNAT40 29-1/2" L x 17-5/8" W x 28-1/8" H SW4726AT40 23-3/8" L x 17-5/8" W x 6-1/4" H

See SW4726AT40 Specification Sheet for details on included WASHLET.

INSTALLATION NOTES

Back-to-Back Toilet Installations:

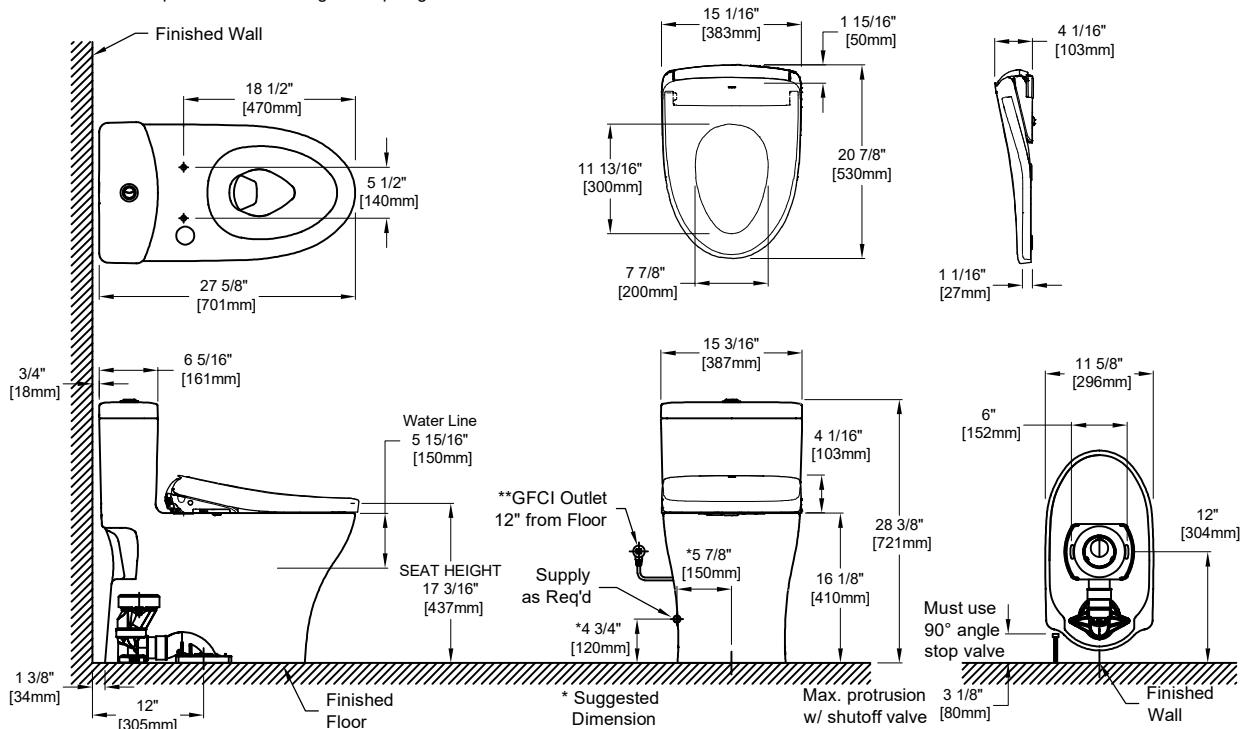
TOTO recommends the use of a nationally listed, double sanitary tee-wye only, in vertical waste stacks, in accordance with the stipulations noted in the majority of nationally recognized plumbing codes.



To maintain adequate wall gap between the back of the tank and wall, mount the floor flange at a nominal 12" rough-in distance.

DIMENSIONS

**GFCI outlet of 120V, 15A
Washlet power cord is 4' long with 3 prongs.



TOTO®

These dimensions and specifications are subject to change without notice