

## Aimes® WASHLET®+ S500e One-Piece Toilet - 1.28 GPF

### FEATURES

- Concealed supply connection for seamless installation
- TORNADO FLUSH® system, high-efficiency (1.28 GPF/4.8 LPF)
- CEFIONTECT® ceramic glaze prevents debris and mold from sticking to ceramic surfaces
- Completely skirted design for a sleek and understated look that's easier to clean
- Universal Height
- 12" Rough-in
- Chrome plated trip lever
- Elongated front bowl and WASHLET+ S500e and tank set
- EWATER+® auto-cleans wand and bowl
- On-demand remote function cleans wand with EWATER+
- PREMIST of bowl before each use
- Remote control operated
- Auto Flush available as upgrade

### MODELS & COMPONENTS

- **MW6263046CEFGA (#01)**  
With CEFIONTECT ceramic glaze, WASHLET+ S500e with contemporary design and Auto Flush
  - **CST626CEFGAT40**  
Elongated toilet with CEFIONTECT
  - **SW3046AT40**  
WASHLET+ S500e - Auto Flush compatible
  - **THU767**  
Auto Flush Kit
- **MW6263046CEFG (#01)**  
Same as MW6263046CEFG without Auto Flush
  - **CST626CEFGT40**  
Elongated toilet with CEFIONTECT
  - **SW3046T40**  
WASHLET+ S500e - Non Auto Flush compatible

#### Optional Components

- **TSU03W.10R**  
10" Unifit Rough-In
- **TSU03W.14R**  
14" Unifit Rough-In
- **THU311N#PN**  
Trip Lever - Polished Nickel
- **THU311N#BN**  
Trip Lever - Brushed Nickel

### COLORS/FINISHES

- #01 Cotton



- TORNADO FLUSH**
- EWATER+**
- CEFIONTECT**
- Auto Flush**
- Universal Height**

### PRODUCT SPECIFICATION

The one-piece high-efficiency TORNADO FLUSH system toilet shall be 1.28 GPF/4.8 LPF. Toilet shall be 12" Unifit rough-in. Toilet shall have optional CEFIONTECT ceramic glaze and be at Universal Height. Toilet shall have elongated front bowl with Polished Chrome trip lever. Toilet shall be TOTO Model MW6263046CEFG\_\_#01

See SW3056(A)T40 Specification Sheet for details on included WASHLET.

### CODES/STANDARDS

- Meets or exceeds ASME A112.19.2/CSA B45.1
- Certifications: IAPMO(cUPC), EPA Watersense, State of Massachusetts, City of Los Angeles, and others
- Code compliance: UPC, IPC, NSPC, NPC Canada, and others
- Legislative Compliance: California AB715, California Green Building Code, City of Los Angeles Water Efficiency Ordinance
- ADA compliant (when installed with trip lever located on the approach side)
- Complies with CA Prop 65 warning requirements



# MW6263046CEFG(A)

## Aimes® WASHLET®+ S500e One-Piece Toilet - 1.28 GPF

### SPECIFICATIONS

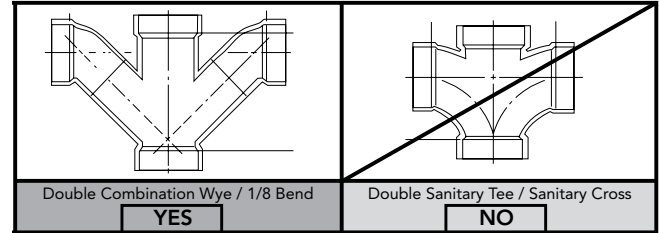
<b>Water Use</b>	1.28 GPF (4.8 LPF)
<b>Flush System</b>	TORNADO FLUSH®
<b>Min. Water Pressure</b>	8 psi (Flowing)
<b>Water Surface</b>	7-3/4" x 9-3/8"
<b>Trap Diameter</b>	2-1/8"
<b>Rough-in</b>	12" (10" & 14" Optional)
<b>Trap Seal</b>	2-1/8"
<b>Warranty</b>	One Year Limited Warranty
<b>Material</b>	Vitreous China
<b>Shipping Weight</b>	119 lbs
<b>Shipping Dimensions</b>	32" L x 20" W x 17-3/4" H <sup>1</sup> x 28-3/4" H <sup>2</sup>

See SW3056(A)T40 Specification Sheet for details on included WASHLET.

### INSTALLATION NOTES

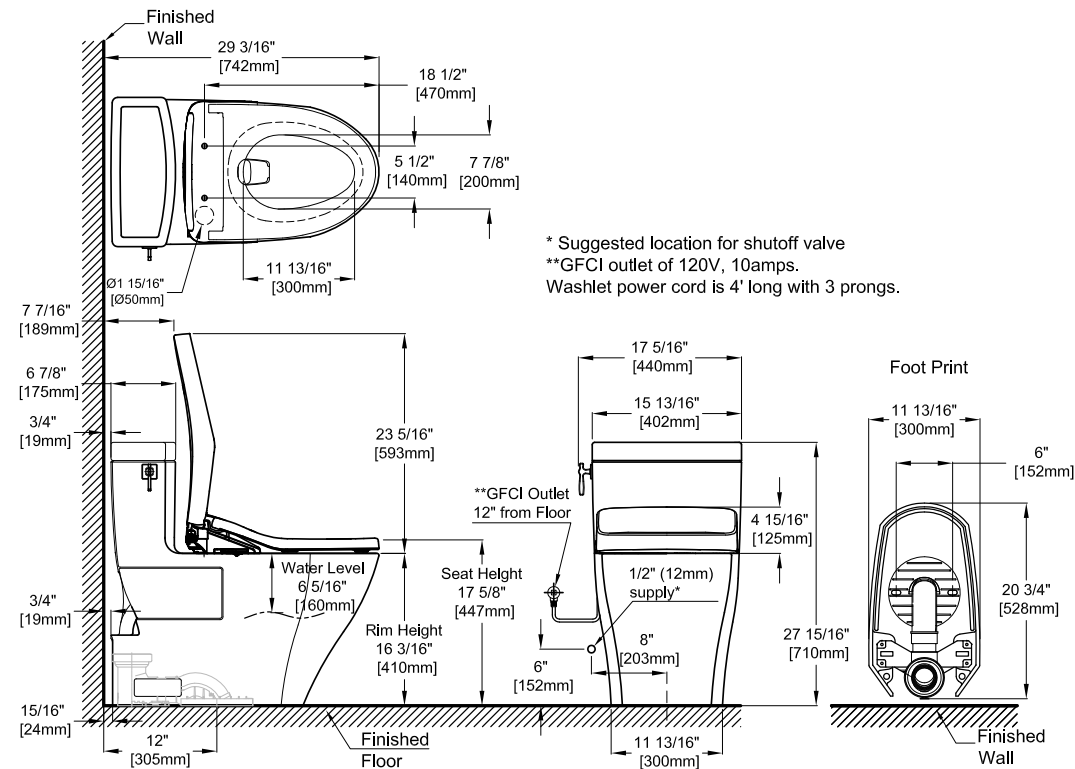
Back-to-Back Toilet Installations:

TOTO recommends the use of a nationally listed, double sanitary tee-wye only, in vertical waste stacks, in accordance with the stipulations noted in the majority of nationally recognized plumbing codes.



To maintain adequate wall gap between the back of the tank and wall, mount the floor flange at a nominal 12" rough-in distance.

### DIMENSIONS



**TOTO®**

These dimensions and specifications are subject to change without notice