

Vespin® II / Washlet®+ C200 Two-Piece Toilet - 1.28 GPF

FEATURES

- Concealed supply connection for seamless installation
- High-efficiency Tornado Flush® (1.28GPF/4.8LPF)
- Skirted design
- CeFiONtect® glaze prevents debris from sticking to ceramic surfaces for easy cleaning
- Universal Height
- Elongated front bowl
- 12" Rough-in, less supply
- Optional 10"; 14" Uni-fit rough-in
- Chrome trip lever
- See Spec sheet SW2044T20 for Washlet features

MODELS

- CT474CUFGT20
Bowl with CeFiONtect glaze
- ST454E Tank and cover only
- ST454ER Tank and cover only, right hand trip lever

REQUIRED WASHLET+

- SW2044T20 WASHLET®+ C200
Fits TOTO WASHLET+ toilet bowl models only

COLORS/FINISHES

- Standard
#01 Cotton

OPTIONAL ROUGH-IN

- 10" rough-in TSU01W.10R
- 14" rough-in TSU01W.14R

PRODUCT SPECIFICATION

The two-piece high-efficiency Tornado Flush toilet shall be 1.28GPF/4.8LPF.

Universal Height Toilet with CeFiONtect glaze finish. Toilet shall have high-profile tank, elongated front bowl and chrome trip lever.

Toilet shall be **TOTO Model CT474CUFGT20#01**.

See TOTO Specification sheet **SW2044T20** for details on required Washlet.



 **CeFiONtect** **washlet®+**
 **Tornado Flush**

CODES/STANDARDS

- Meets and exceeds ASME A112.19.2/CSA B45.1
- Certifications: IAPMO(cUPC), EPA WaterSense, State of Massachusetts, City of Los Angeles, and others
- Code compliance: UPC, IPC, NSPC, NPC Canada, and others
- Legislative Compliance: California AB715, California Green Building Code, City of Los Angeles Water Efficiency Ordinance
- ADA compliant (when installed with trip lever located on the approach side)



MW4742044CEFG

Vespin® II / WASHLET®+ C200 Two-Piece Toilet - 1.28 GPF

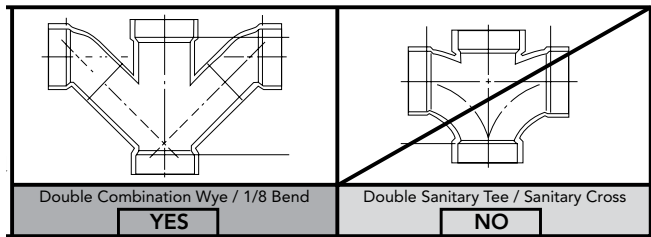
SPECIFICATIONS

- Water Use: 1.28 GPF/4.8LPF
- Flush System: Tornado Flush®
- Min. Water Pressure: 8 psi (flowing)
- Water Surface: 6-7/8" x 9-3/4"
- Trap Diameter: 2-1/8"
- Rough-in: 12" (10" or 14" optional)
- Trap Seal: 2-1/8"
- Warranty: One Year Limited Warranty
- Material: Vitreous china
- Shipping Weight: CT474CUFGT20 75lbs.
ST454E(R) 31.5lbs.
SW2044T20 16.0lbs.
- Shipping Dimensions: CT474CUFGT20
30-1/8" L x 16-3/4" W x 22" H
ST454E(R)
18" L X 9" W X 16" H
SW2044T20
23 1/2" X 19" X 9"

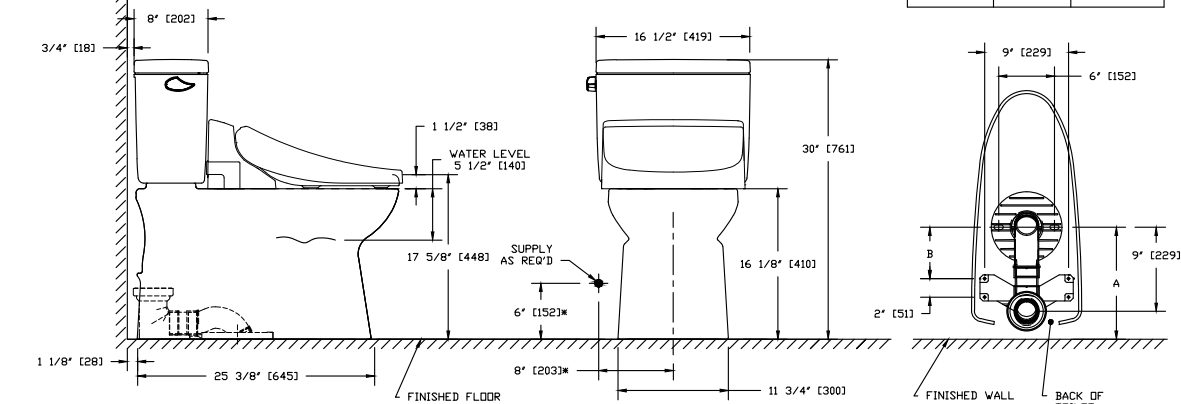
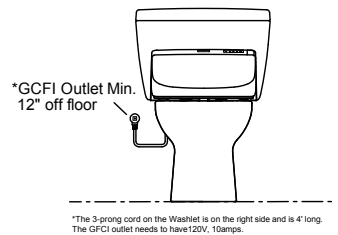
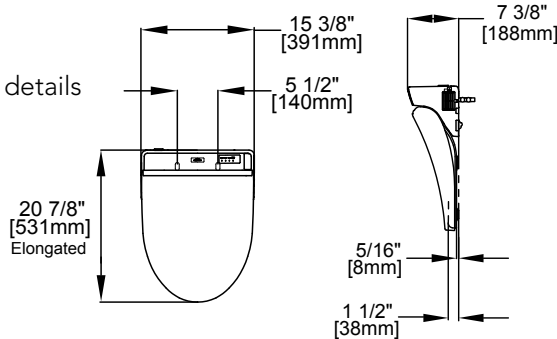
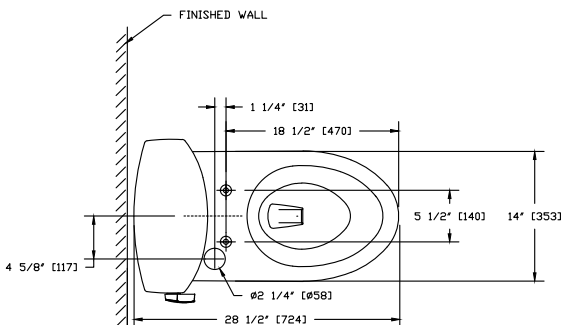
- See Spec sheet **SW2044T20** for Washlet details

INSTALLATION NOTES

Back-to-Back Toilet Installations:
TOTO recommends the use of a nationally listed, double sanitary tee-wye only, in vertical waste stacks, in accordance with the stipulations noted in the majority of nationally recognized plumbing codes.



To maintain adequate wall gap between the back of the tank and wall, mount the floor flange at a nominal 12" rough-in distance.



UNIFIT TYPE	A	B
12" ROUGH	12" [305]	5 1/2" [140]
10" ROUGH**	10" [254]	3 1/2" [89]
14" ROUGH**	14" [356]	7 1/2" [191]

*SUGGESTED DIMENSIONS
**SOLD SEPARATELY

RD-XXXXX, MW4742044CEFG, V.01

TOTO

These dimensions and specifications are subject to change without notice