

### FEATURES

- Closed front toilet seat and cover with SOFTCLOSE hinge system
- Mounting hardware included

### MODELS

- SS114 - Elongated SOFTCLOSE seat
- SS113 - Round SOFTCLOSE seat



### COLORS/FINISHES

- Standard
  - #01 Cotton
  - #03 Bone
  - #11 Colonial White
  - #12 Sedona Beige
  - #51 Ebony

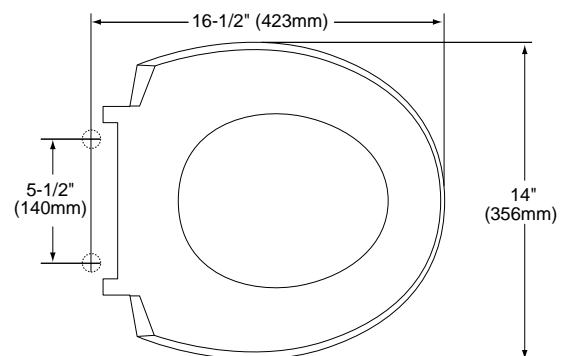
### SPECIFICATIONS

- Warranty: 1-year limited warranty
- Material: Polypropylene
- Shipping Weight: 6.6 lbs. (SS114)/6.2 lbs. (SS113)
- Shipping Dimensions: 18-1/2" x 14-1/2" x 3"

### PRODUCT SPECIFICATION

Seat shall be model # SS114 or # SS113\_\_\_\_. Seat shall be solid plastic with closed front seat and cover. Wide back design shall feature a rounded cover with integral bumpers. Hinges to be color matched with noncorrosive nylon stud and nut.

**SS113 - Round SOFTCLOSE Seat**



**SS114 - Elongated SOFTCLOSE Seat**

